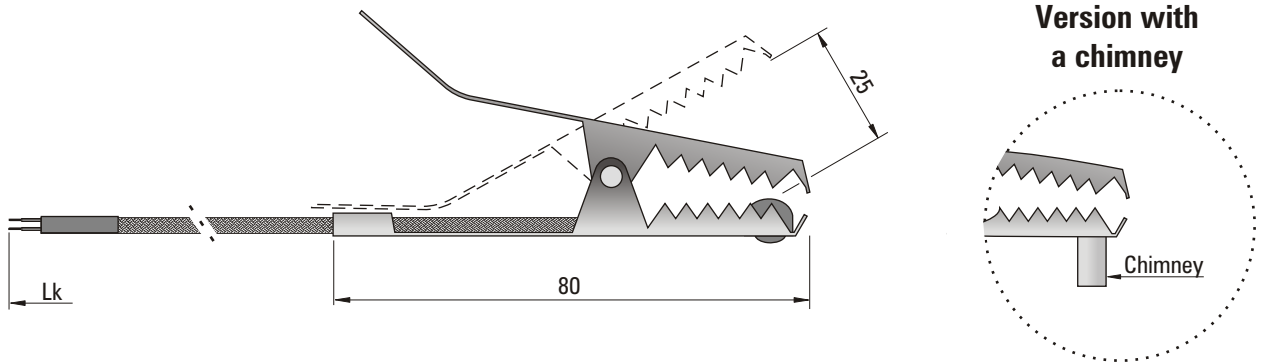


TEMPERATURE SENSOR

type 398



SPECIFICATION

Application	for measuring the surface temperature of pipelines and others cylindrical elements. The sensor is attached with a crocodile clip.
Temperature range	-40°C... +400°C
Measuring element	platinum resistor (Pt100) thermocouple Cu-CuNi (T) thermocouple Fe-CuNi (J) thermocouple NiCr-Ni (K)
Class of processing element	thermocouple cl.2, Pt100 cl.B
Measuring junction (thermocouple)	grounded (a) [or insulated (b)]
Hose-clip material	steel nickel plated
Cable insulated	fiber glass and steel braid (other on demand)
Additional accessories	plug type MP or MT

⁽¹⁾ Pt500, Pt1000, Ni100, Ni1000 on demand

⁽²⁾ Pt100 3-wire or Pt100 4-wire on demand

⁽³⁾ Other cable insulation: PVC (Tmax+80°C), silicon (Tmax+180°C), PTFE (Tmax+250°C), stainless steel armored sheath on demand

ORDERING CODE



Measuring element **Pt100, T, J or K** ⁽¹⁾

Cable length Lk = **0,5 ... 15 m**

Additional accessories: plug type **MP** or **MT**

Additional requirements: different cable insulation, different class, Pt100 3- 4-wire, version with a chimney

Example for order: TP-398K-2,5 thermocouple sensor NiCr-Ni (K) with crocodile clip, length of cable Lk = 2,5m.