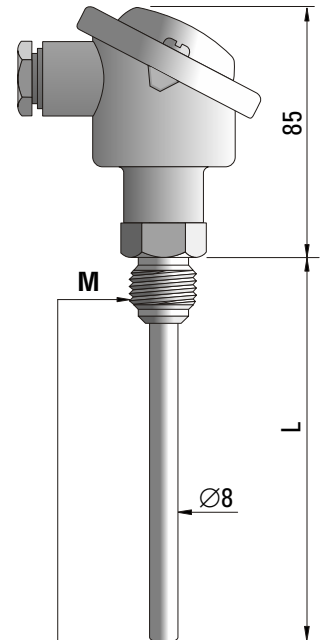


TEMPERATURE SENSOR

type 581, 582, 583, 584, 585

SPECIFICATION

Temperature range	-40°C... +150°C
Measuring element	platinum resistor (Pt100)⁽¹⁾ thermocouple Cu-CuNi (T) thermocouple Fe-CuNi (J) thermocouple NiCr-NiAl (K)
Class of processing element	thermocouple class 2, Pt100 class B (other on demand)
Conductor material for Pt100	wire Cu/Ag
Assembly for Pt100	2, 3 or 4 wires
Measuring junction	insulated (b) [grounded (a) on demand]
Outer sheath diameter	Ø8mm (other on demand) ⁽³⁾
Sheath material	steel 1.4541 (other on demand)
Head type	BA (other on demand) ⁽²⁾
Roughness of sheath surface	R _a < 0,8 µm
Head operating temperature	-40°C ... +100°C
Maximum operating pressure	1,6MPa
Additional accessories	temperature transmitter compensation cable thermowell with internal thread for welding



M ⁽⁴⁾	Type
M20x1,5	TP-581
G1/2"	TP-582
M24x1,5	TP-583
M27x2	TP-584
G3/4"	TP-585

⁽¹⁾ Pt500, Pt1000, Ni100, Ni1000 or thermistors on demand

⁽²⁾ Connection head with IP65 protection degree, acid resistant or open type on demand

⁽³⁾ Sheath diameter Ø6, Ø7, Ø9, Ø10, Ø11, Ø12, Ø15 mm on demand

⁽⁴⁾ Other inch and metric threads on demand

ORDERING CODE



Sensor type **581, 582, 583, 584, 585**
 Measuring element **Pt100, T, J, K**
 Single (1) or double (2) measuring element
 Sensor length L = **50, 100, 200, 300, 400, 600, 800** mm (or any other)
 Option for the transmitter mounting **T** or mounted CZAKI transmitter (specify type)
 Additional requirements: other thread, other diameter, other head, other class, Pt100 3- 4-wire

Example for order:

TP-582Pt100-1-100 means a sensor with BA head, with a single Pt100 resistor, in a sheath diameter Ø8mm and length L = 100 mm with G1 / 2 "thread.
 TP-582Pt100-1-100-T; TCHF-2125 means sensor as above with BA head, with the temperature transmitter TCHF-2125 mounted.