

TEMPERATURE AND HUMIDITY SENSOR WITH TRANSMITTER

type HTT-961, HTT-962

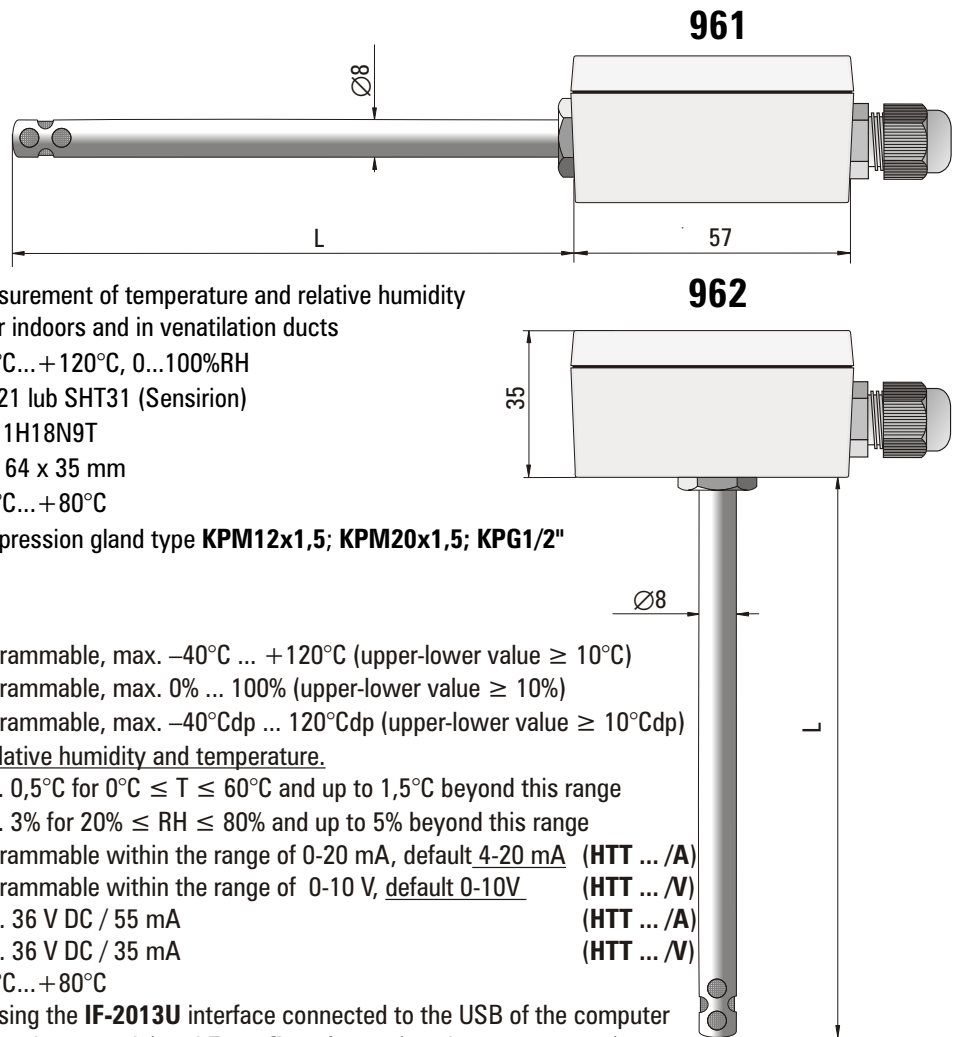
TECHNICAL DATA

Sensor

Application	measurement of temperature and relative humidity of air indoors and in ventilation ducts
Measuring range	-40°C... +120°C, 0...100%RH
Processing element	SHT21 lub SHT31 (Sensirion)
Housing / sensor sheath material	PC / 1H18N9T
Dimensions of the housing	57 x 64 x 35 mm
Operating temperature	-40°C... +80°C
Additional accessories	compression gland type KPM12x1,5; KPM20x1,5; KPG1/2"

Transmitter

Processing ranges of:	
temperature	programmable, max. -40°C ... +120°C (upper-lower value ≥ 10°C)
relative humidity	programmable, max. 0% ... 100% (upper-lower value ≥ 10%)
dew point temperature	programmable, max. -40°Cdp ... 120°Cdp (upper-lower value ≥ 10°Cdp)
<u>The dew point is calculated based on relative humidity and temperature.</u>	
Temperature processing error	max. 0,5°C for 0°C ≤ T ≤ 60°C and up to 1,5°C beyond this range
Humidity processing error	max. 3% for 20% ≤ RH ≤ 80% and up to 5% beyond this range
Output signals	programmable within the range of 0-20 mA, default 4-20 mA (HTT ... /A) programmable within the range of 0-10 V, default 0-10V (HTT ... /V)
Power supply	12 ... 36 V DC / 55 mA (HTT ... /A) 14 ... 36 V DC / 35 mA (HTT ... /V)
Operating temperature	-40°C... +80°C
Programming	by using the IF-2013U interface connected to the USB of the computer (ordered separately) and E-config software (version 2.2 or newer)



ORDERING CODE

(1) (2) (3) (4) (5) (6) (7) (8) (9) (10)
HTT - - - / / / / / / / /

- | | | |
|------|---|---|
| (1) | Sensor type | 961, 962 |
| (2) | Sensor length | L = 50, 100, 150 or 200 mm (other on demand) |
| (3) | Additional accessories | compression gland e.g. KPM12x1,5 |
| (4) | Output signals: | A current output referenced to the supply minus, default 4-20mA
V voltage output referenced to the supply minus, default 0...10V |
| (5) | Lower end of the temperature processing range | value in [°C], default -40 |
| (6) | Upper end of the temperature processing range | value in [°C], default +120 |
| (7) | Lower end of the humidity processing range | value in [%], default 0 |
| (8) | Upper end of the humidity processing range | value in [%], default 100 |
| (9) | Humidity unit | %RH or °Cdp , default %RH |
| (10) | Range of output signal (if different from default) e.g. | 0-20mA, 1-5V |

Example for order: HTT-962-150 / A denotes temperature and humidity sensor, in a sheath of diameter $\varnothing = 8$ mm and length of L = 150 mm, with 4-20mA transmitter, for measuring range of -40...+120°C and 0...100%RH.