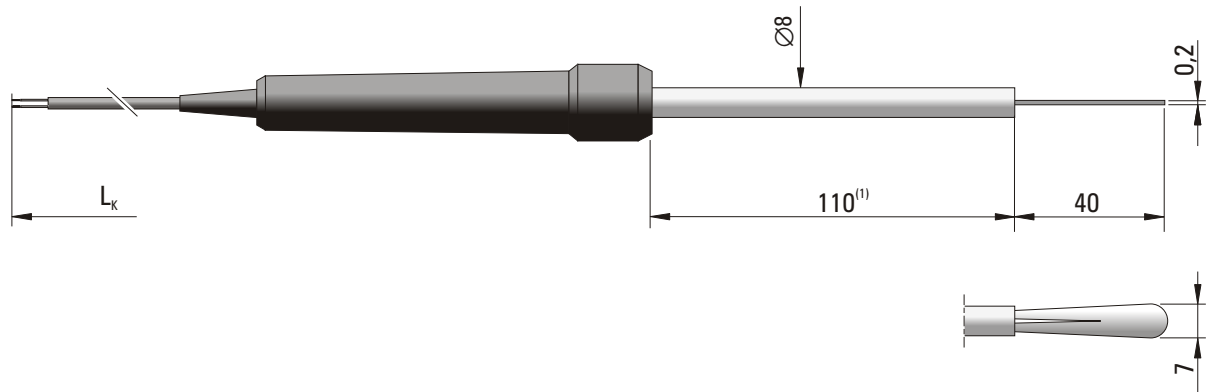


TEMPERATURE SENSOR

type 127



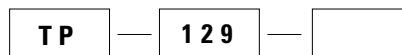
SPECIFICATION

Application	temperature measurement of surfaces. Flexible, springy measurement tip of sensor (leaf) with very good thermal conductivity.
Temperature range	-50°C...+600°C
Measuring element	leaf thermocouple NiCr-NiAl (K)
Class of thermocouple	2
Response time $T_{0,9}$	<5 sec.
Length of compensation cable L_k	spiral 1,5 m ⁽²⁾
Handle and cable operating temperature	-20°C...+80°C
Additional accessories	plug type MT-K (for use with hand held thermometers) ⁽²⁾

⁽¹⁾ Other sensor lengths on demand

⁽²⁾ Other parameters according to customer requirements

ORDERING CODE



Additional accessories: plug type **MT-K**

Example for order: TP-127-MT-K temperature sensor based on leaf thermocouple NiCr-NiAl (K), length of spiral compensation cable $L_k = 1,5m$ with plug type MT-K.