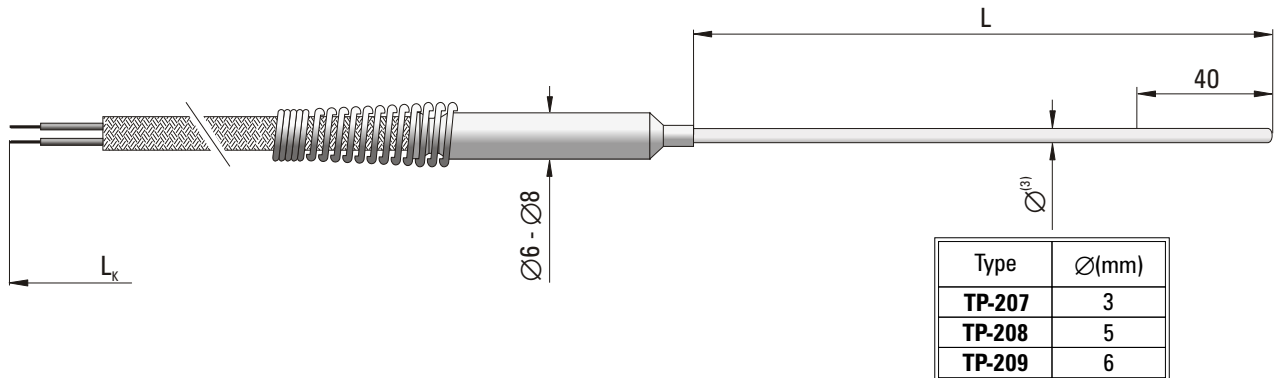


TEMPERATURE SENSOR

Type: 207, 208, 209



These sensors are made using mineral insulated cable. The outer sheath is from acid resistant steel and conductors are from copper with added zirconium. Lead insulation is magnesium oxide. The addition of zirconium to the copper ensures constant conductor resistance over a wide range of operating temperature. A platinum resistor is employed as the measuring element. This sensor construction combines the advantages of high resolution found in platinum resistance thermometers together with the **elastic properties** of mineral insulation which gives a **high degree of resistance to shock and vibration** in difficult industrial applications.

Note: rigid sensor tip with a length of 40 mm.

SPECIFICATION

Temperature range	-100°C... +550°C
Measuring element	platinum resistor (Pt100) ⁽¹⁾
Class of processing element	B ⁽²⁾
Outer diameter of mineral insulated cable Ø	3, 5 or 6 mm ⁽³⁾
Assembly	2, 3 or 4 wires
Sheath material	steel 1.4541
Operating temperature of intermediate bush and cable	-20°C... +300°C
Cable insulation	fibre glass and steel braid ⁽⁴⁾
Additional accessories	plug type MP (for use with hand held thermometers) ⁽²⁾

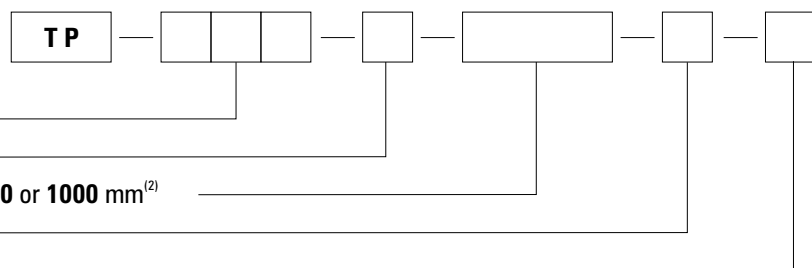
⁽¹⁾ Pt500, Pt1000, Ni100, Ni1000 on demand

⁽²⁾ Other parameters according to customer requirements

⁽³⁾ Outer diameter Ø1,5mm on demand

⁽⁴⁾ Other cable insulation: PVC, silicon, PTFE, stainless steel armored sheath on demand

ORDERING CODE



Sensor type **207, 208, 209**

Single (1) or double (2) measuring element

Sensor length L = **100, 200, 300, 400, 600, 800 or 1000** mm⁽²⁾

Length of cable L_k = **1, 1,5 or 2,5** m.⁽²⁾

Additional accessories: plug type **MP**

Example for order: TP-207-1-400-2,5 Pt100 resistance sensor in mineral insulated cable of outer diameter Ø = 3 mm , length L = 400 mm and length of cable L_k = 2,5 m.