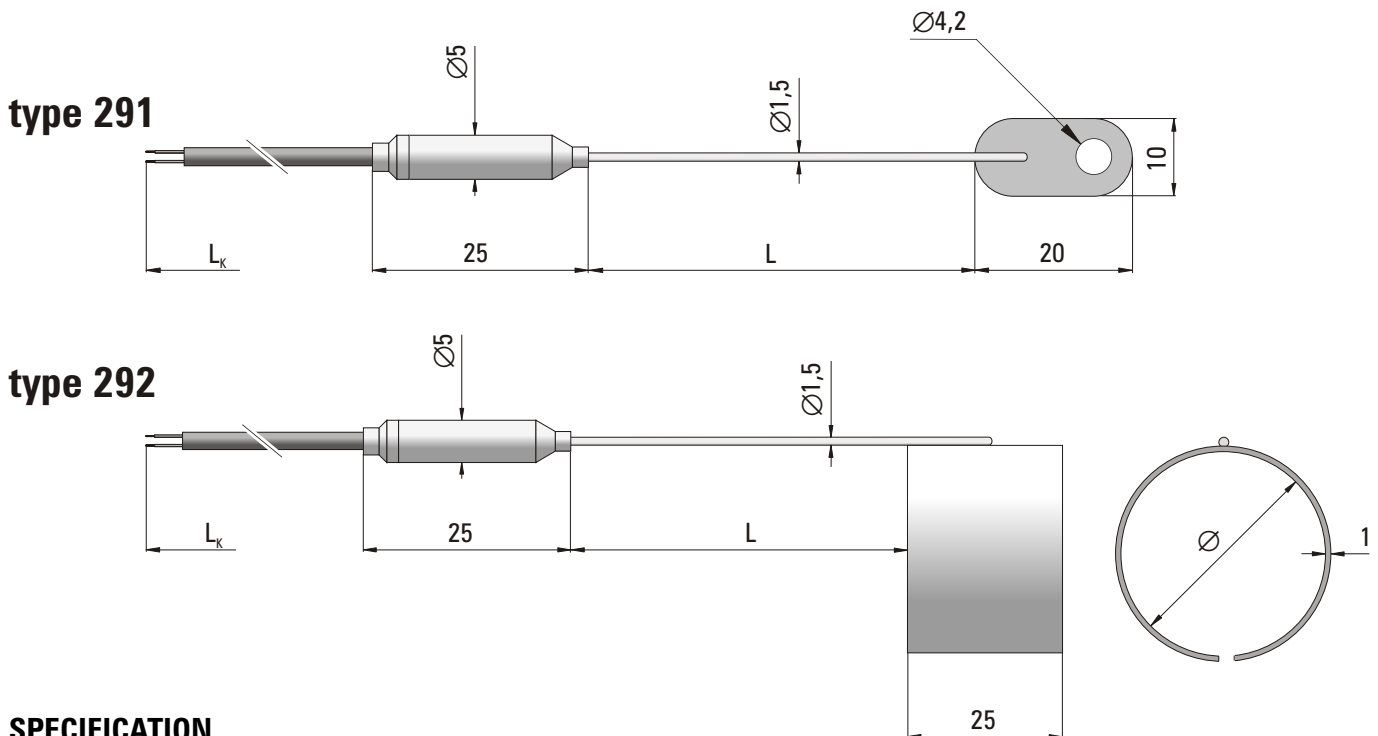


TEMPERATURE SENSOR

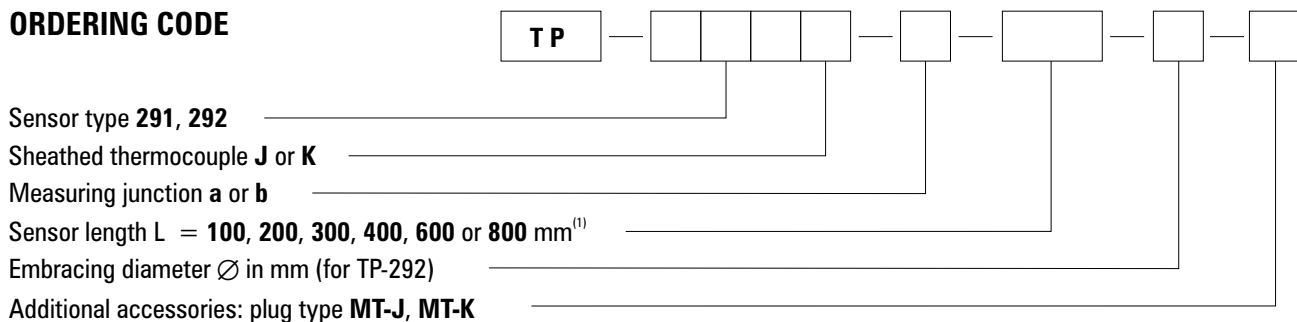


SPECIFICATION

Application	temperature measurement of solid surfaces, parts of machinery or other constructional elements
Temperature range	-40°C... +700°C
Sheathed thermocouple	Fe-CuNi (J) NiCr-NiAl (K)
Measuring junction	grounded (type a), insulated (type b)
Class of thermocouple	2
Measuring tip material	Cu
Sheath material	Inconel
Length of compensation cable L_k	1,5 m ⁽¹⁾
Operating temperature of intermediate bush and cable	-20°C... +80°C ⁽¹⁾
Additional accessories	plug type MT (for use with hand held thermometers)

⁽¹⁾ Other parameters according to customer requirements

ORDERING CODE



Example for order: TP-292K-b-200-30-MT-K sheathed thermocouple NiCr-NiAl(K) with measuring junction galvanically insulated from the sheath (type b), length $L = 200$ mm, embracing diameter $\varnothing = 30$ mm, length of compensation cable $L_k = 1,5$ m and plug type MT-K.