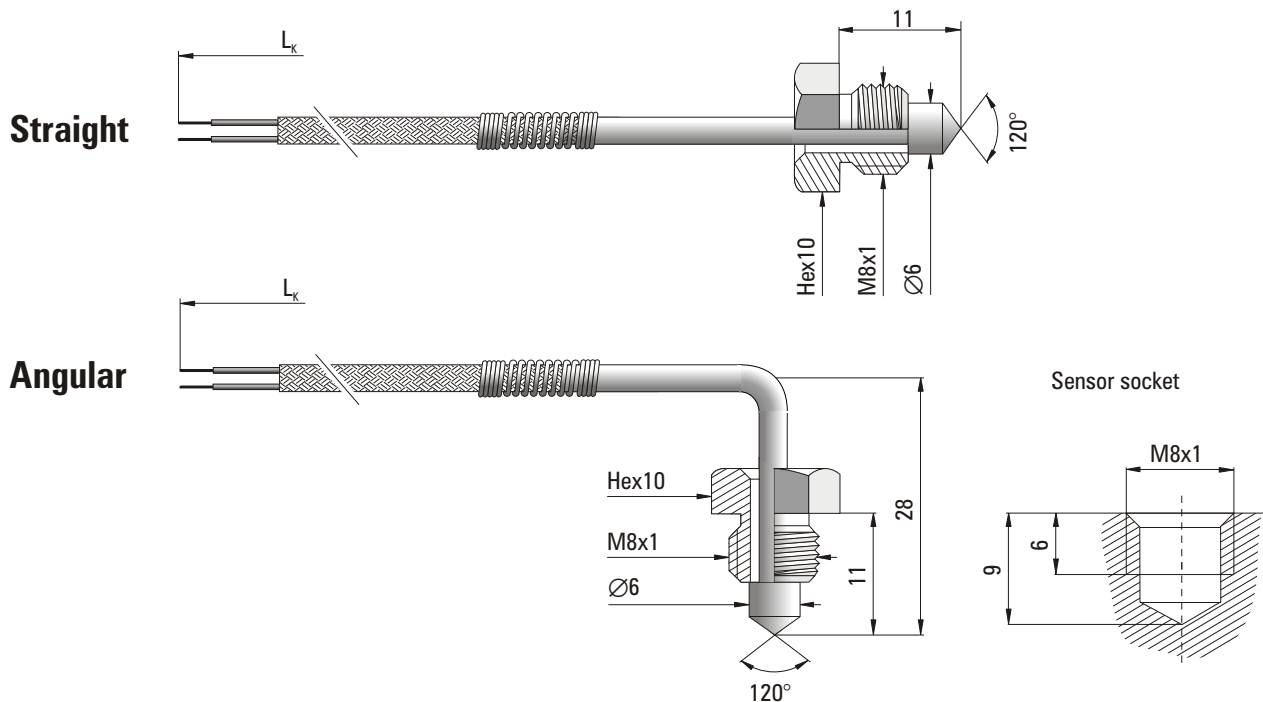


## TEMPERATURE SENSOR

### type 376



### SPECIFICATION

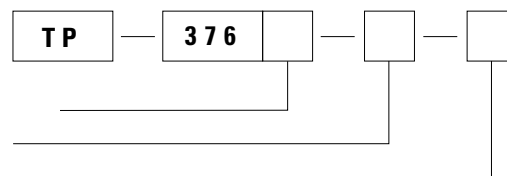
|                             |                                                                                                          |
|-----------------------------|----------------------------------------------------------------------------------------------------------|
| Application                 | temperature measurement of feed cylinders extruding presses and injection molds                          |
| Temperature range           | -40°C... +500°C                                                                                          |
| Measuring element           | thermocouple Fe-CuNi <b>(J)</b><br>thermocouple NiCr-NiAl <b>(K)</b><br>platinum resistor <b>(Pt100)</b> |
| Measuring junction          | insulated <sup>(1)</sup>                                                                                 |
| Class of processing element | 2 (B) <sup>(1)</sup>                                                                                     |
| Sheath material             | steel 1.4541                                                                                             |
| Cable insulation            | fiber glass and steel braid <sup>(2)</sup>                                                               |

<sup>(1)</sup> Other parameters according to customer requirements

<sup>(2)</sup> Other cable insulation: PVC, silicon, PTFE, stainless steel armored sheath on demand

### ORDERING CODE

Measuring element **J, K or Pt100**  
 Length of the cable  $L_k = 0,5, 1,5$  or  $2,5$  m <sup>(3)</sup>  
 Option: straight **(P)**, angular **(K)**



**Example for order:** TP-376J-1,5-K thermocouple sensor Fe-CuNi (J) with cable of length  $L_k = 1,5$  m, angular option.