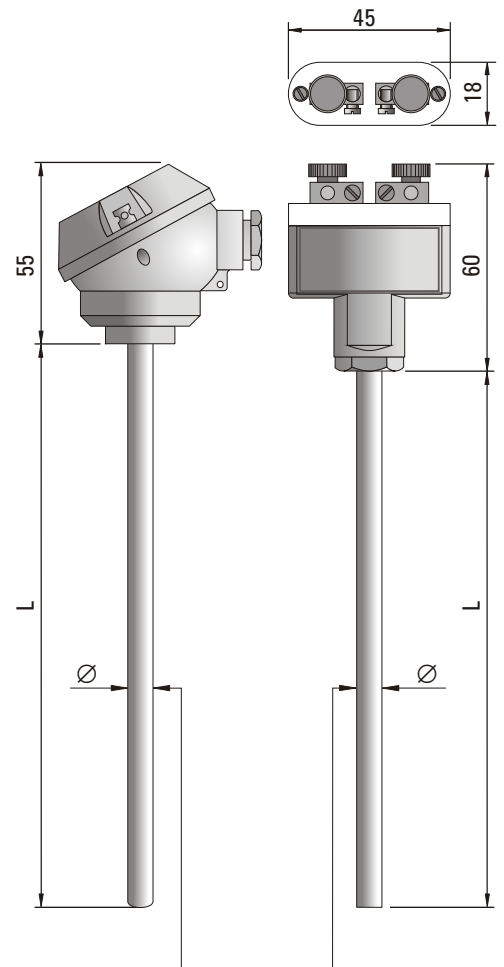


# TEMPERATURE SENSOR

## type 401, 402, 403, 404, 405, 406, 407, 408

### SPECIFICATION

Temperature range	-40°C... +550°C	<b>(Pt100)</b>
	-40°C... +400°C	<b>(T)</b>
	-40°C... +600°C	<b>(J)</b>
	-40°C... +900°C	<b>(K)</b>
Measuring element	platinum resistor	<b>(Pt100)</b> <sup>(1)</sup>
	Cu-CuNi	<b>(T)</b>
	Fe-CuNi	<b>(J)</b>
	NiCr-NiAl	<b>(K)</b>
Class of processing element	2 (B) <sup>(1)</sup>	
Conductor material	wire Cu/Ni (for Pt100)	
Assembly	2, 3 or 4 wires (for Pt100)	
Measuring junction	insulated <sup>(1)</sup>	
Sheath material	steel 1.4541	
Connection head type	MA or B <sup>(4)</sup> , oval opened	
Roughness of sheath surface	$R_a < 0,8 \mu\text{m}$ <sup>(2)</sup>	
Head operating temperature	-40°C... +100°C	
Additional accessories	compression gland type <b>KP</b> clamping plate <b>UZ</b> temperature transmitter compensation cable	



Type	Ø (mm) <sup>(4)</sup>	Type
<b>TP-401</b>	6	<b>TP-406</b>
<b>TP-402</b>	8	<b>TP-407</b>
<b>TP-403</b>	10	<b>TP-408</b>
<b>TP-404</b>	12	
<b>TP-405</b>	15	

<sup>(1)</sup> Pt500, Pt1000, Ni100, Ni1000 on demand

<sup>(2)</sup> Other parameters according to customer requirements

<sup>(3)</sup> Connection head with protection class IP65 or acid resistant on demand

<sup>(4)</sup> Protection tube of outer diameter Ø9 and Ø11 mm on demand

### ORDERING CODE



Sensor type **401, 402, 403, 404, 405, 406, 407, 408**

Measuring element **Pt100, T, J, or K**

Single **(1)** or double **(2)** measuring element

Sensor length L = **200, 300, 400, 600, 800 or 1000** mm<sup>(5)</sup>

Additional accessories: compression gland type **KP**, clamping plate type **UZ**

Option with the head-mount transmitter **T**

### Example for order:

TP-401K-1-400 sensor with single thermocouple NiCr-NiAl (K), with connection head type MA, sheath outer diameter Ø = 6mm and length L = 400mm.

TP-401K-1-400-T; TCH-2140-K sensor with single thermocouple NiCr-NiAl (K), with connection head type B, option with head-mount transmitter type TCH-2140-K.