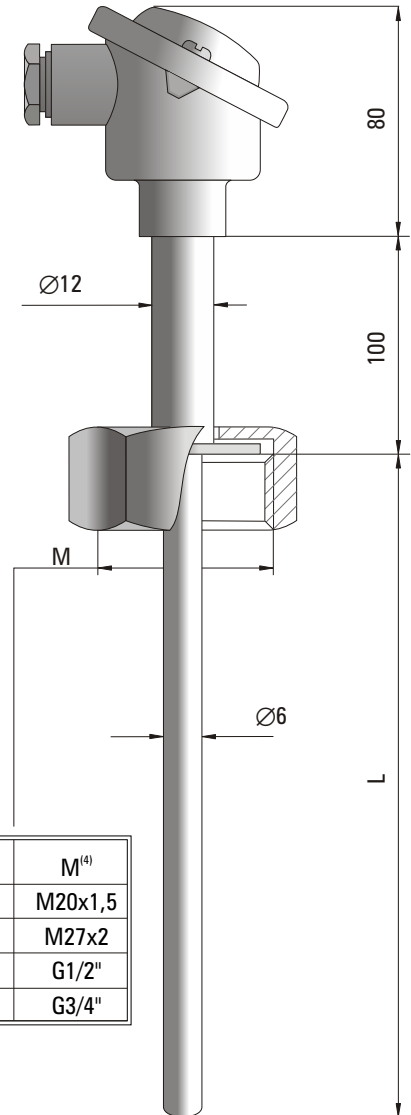


TEMPERATURE SENSOR

type 521, 522, 523, 524

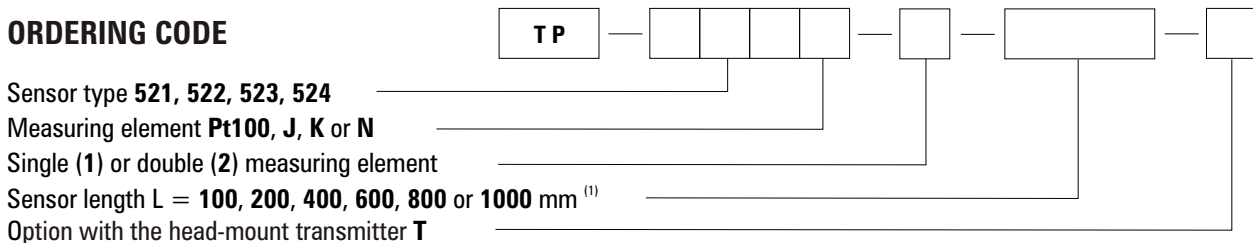
SPECIFICATION

Temperature range	-40°C...+550°C -40°C...+800°C -40°C...+1100°C -40°C...+1250°C	(Pt100) (J) (K) (N) (Pt100) ⁽²⁾
Measuring element	platinum resistor thermocouple Fe-CuNi thermocouple NiCr-NiAl thermocouple NiCrSi-NiSi	(J) (K) (N)
Class of processing element	2 (B) ⁽¹⁾	
Conductor material	wire Cu/Ni (for Pt100)	
Assembly	2, 3 or 4 wires (for Pt100)	
Measuring junction	insulated ⁽¹⁾	
Sheath material	steel 1.4541 (Pt100) Inconel (J, K) Niobell (N)	
Maximum operating pressure	1,6 MPa	
Roughness of sheath surface	$R_a < 0,8 \mu m$ ⁽¹⁾	
Connection head type	B ⁽⁴⁾	
Head operating temperature	-40°C...+100°C	
Hexagon nut	mobile with internal thread M20x1,5, M27x2, G1/2", G3/4" ⁽³⁾ (welded hexagon nut on demand)	
Additional accessories	temperature transmitter compensation cable	



⁽¹⁾ Other parameters according to customer requirements
⁽²⁾ Pt500, Pt1000, Ni100, Ni1000 on demand
⁽³⁾ Other inch and metric threads on demand
⁽⁴⁾ Connection head with protection class IP65 or acid resistant on demand

ORDERING CODE



Example for order: TP-523Pt100-1-200 sensor with single Pt100 resistor with mobile hexagon nut, internal thread G1/2" and length L = 200 mm.
 TP-523Pt100-1-200-T; TCH-2120-Pt100 sensor with the head-mount transmitter type TCH-2120-Pt100.