

TEMPERATURE SENSOR

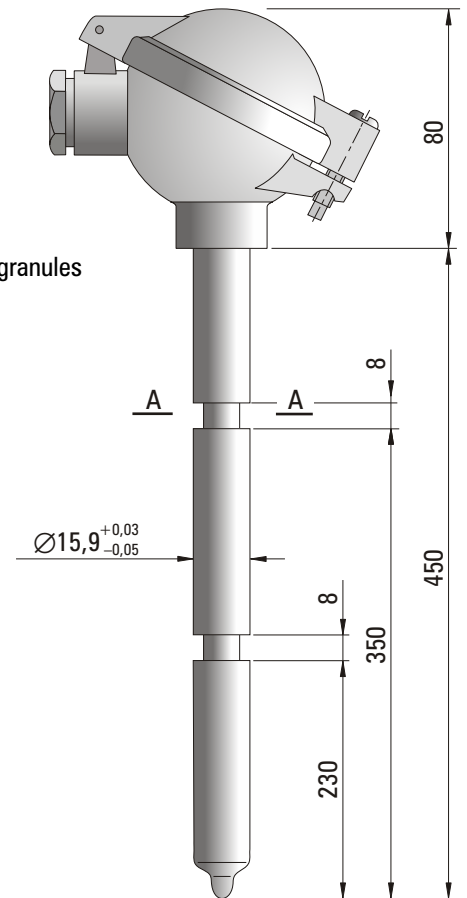
type 529

SPECIFICATION

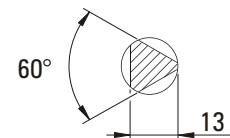
Application	temperature measurement of rubber granules in crushing and grinding equipment
Temperature range	-40°C...+400 °C
Measuring element	NiCr-NiAl (K) Fe-CuNi (J)
Class of thermocouple	2 ⁽¹⁾
Measuring junction	grounded
Sheath material	steel 1.4541
Sheath outer diameter	∅ 15,9 ^{+0,03} _{-0,05} mm
Connection head type	DAN ⁽²⁾
Head operating temperature	-40°C...+100°C
Additional accessories	temperature transmitter compensation cable

⁽¹⁾ Other parameters and dimensions according to customer requirements

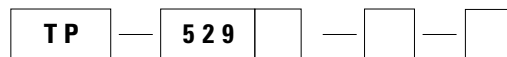
⁽²⁾ Connection head with protection class IP65 or acid resistant on demand



A-A



ORDERING CODE



Measuring element **J** or **K**
 Single **(1)** or double **(2)** thermocouple
 Option with the head-mount transmitter **T**

Example for order: TP-529J-1 sensor with single thermocouple Fe-CuNi (J).
 TP-529J-1-T; TCH-2140-J sensor with the head-mount transmitter type TCH-2140-J.