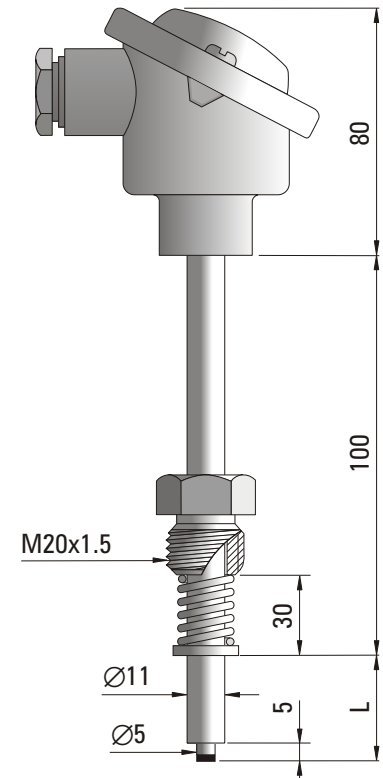


TEMPERATURE SENSOR

type 535

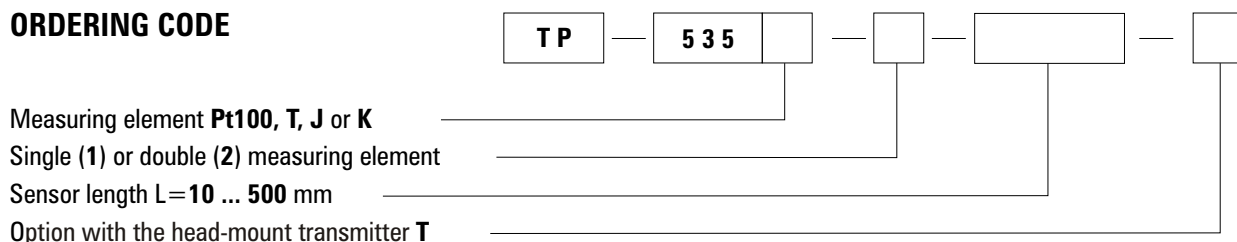
SPECIFICATION

Application	temperature measurement of surfaces of bearings, cylinders, bushes, receptacles
Temperature range	-40°C...+250°C
Measuring element	platinum resistor (Pt100) ⁽¹⁾ thermocouple Cu-CuNi (T) thermocouple Fe-CuNi (J) thermocouple NiCr-NiAl (K)
Class of processing element	2 (B) ⁽²⁾
Conductor material	wire Cu/Ni (for Pt100)
Assembly	2, 3 or 4 wires (for Pt100)
Measuring junction	grounded ⁽²⁾
Sheath material	steel 1.4541
Connection head type	B ⁽³⁾
Head operating temperature	-40°C...+100°C
Fitting	mobile with thread M20x1,5 ⁽⁴⁾
Additional accessories	temperature transmitter thermowell for welding compensation cable



⁽¹⁾ Pt500, Pt1000, Ni100, Ni1000 on demand
⁽²⁾ Other parameters according to customer requirements
⁽³⁾ Connection head with protection class IP65 or acid resistant on demand
⁽⁴⁾ Other inch and metric threads on demand

ORDERING CODE



Example for order: TP-535Pt100-1-15 sensor with single Pt100 resistor of length L = 15 mm.
 TP-535Pt100-1-15-T; TCHF-2120 sensor with head-mount transmitter type TCHF-2120.