

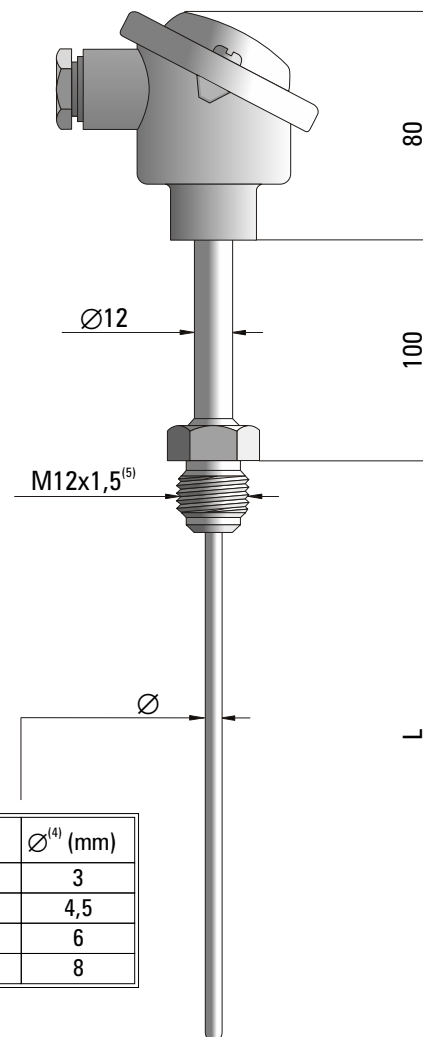
TEMPERATURE SENSOR

type 551, 552, 553, 554

SPECIFICATION

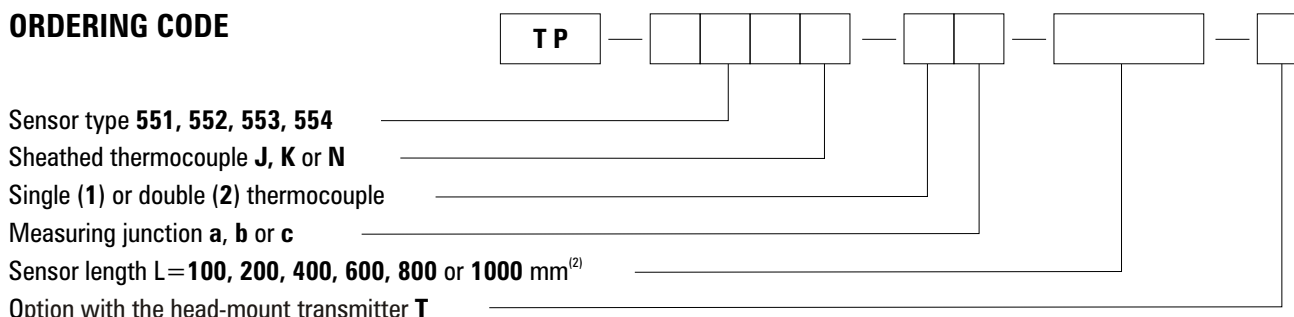
Temperature range	-40°C...+800°C	(J)
	-40°C...+1100°C	(K)
	-40°C...+1250°C	(N)
Sheathed thermocouple	Fe-CuNi	(J)⁽¹⁾
	NiCr-NiAl	(K)
	NiCrSi-NiSi	(N)
Measuring junction	grounded	(type a)
	insulated	(type b)
	Exposed	(type c)
Class of thermocouple	1	
Sheath material	Inconel (J, K), Microbell (N)	
Maximum operating pressure	10 MPa	
Connecting head type	B ⁽³⁾	
Head operating temperature	-40°C...+100°C	
Additional accessories	temperature transmitter thermowell for welding compensation cable	

- ⁽¹⁾ Pt100 on demand
⁽²⁾ Other parameters according to customer requirements
⁽³⁾ Connection head with protection class IP65 or acid resistant on demand
⁽⁴⁾ Thermocouples of outer diameter $\varnothing = 1, 1,5$ or 2 mm on demand
⁽⁵⁾ Other inch and metric threads on demand



Type	$\varnothing^{(4)}$ (mm)
TP-551	3
TP-552	4,5
TP-553	6
TP-554	8

ORDERING CODE



Example for order: TP-551K-1b-200 sensor with single sheathed thermocouple NiCr-NiAl (K) of outer diameter $\varnothing = 3$ mm, measuring junction galvanically insulated from the sheath (type b) and length L = 200 mm.
 TP-551K-1b-200-T; TCH-2140-K sensor with the head-mount transmitter type TCH-2140-K.