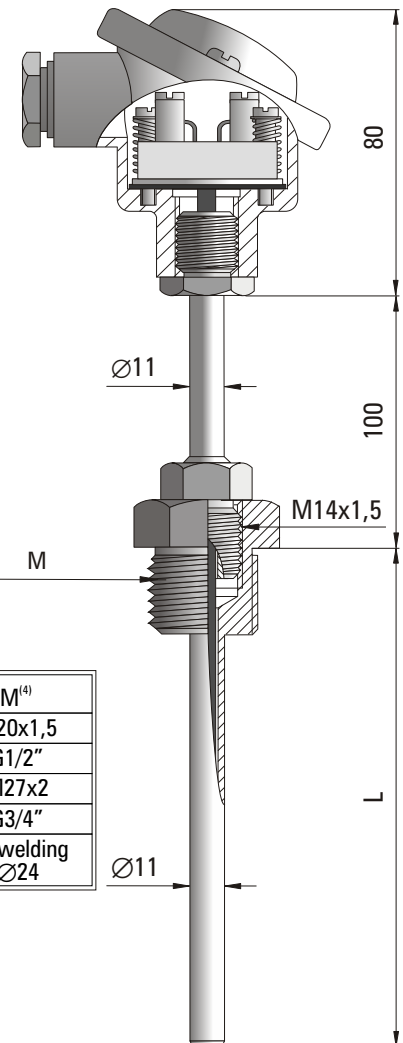


TEMPERATURE SENSOR

type 641, 642, 643, 644, 645

SPECIFICATIONS

Application	sensor with replaceable measuring insert for temperature measurement in industrial pipelines and receptacles under pressure
Temperature range	-40°C... +550°C (Pt100) -40°C... +400°C (T) -40°C... +600°C (J) -40°C... +900°C (K)
Measuring element	platinum resistor (Pt100)⁽¹⁾ thermocouple Cu-CuNi (T) thermocouple Fe-CuNi (J) thermocouple NiCr-NiAl (K)
Class of processing element	2 (B) ⁽²⁾
Conductor material	wire Cu/Ni (for Pt100)
Assembly	2, 3 or 4 wires (for Pt100)
Measuring junction	insulated ⁽²⁾
Sheath material	steel 1.4541
Roughness of sheath surface	$R_a < 0,8 \mu\text{m}^{(2)}$
Maximum operating pressure	see Sheath Operating Loads information
Connecting head type	B or NA ⁽³⁾
Head operating temperature	-40°C... +100°C
Additional accessories	temperature transmitter thermowell for welding compensation cable

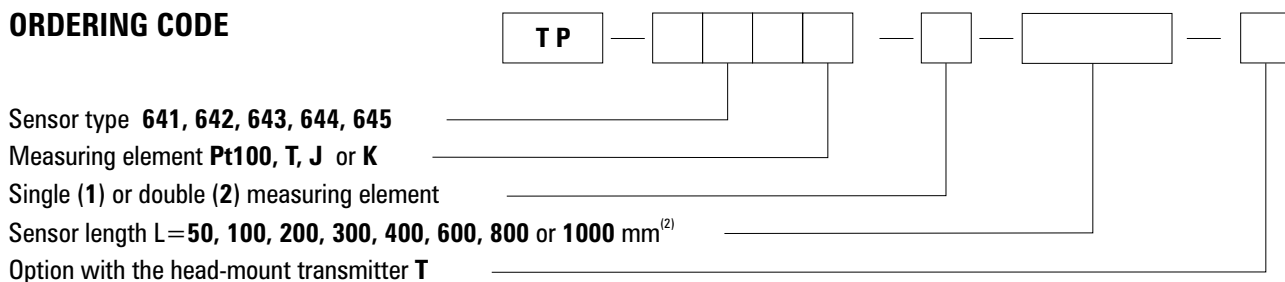


Type	M ⁽⁴⁾
TP-641	M20x1,5
TP-642	G1/2"
TP-643	M27x2
TP-644	G3/4"
TP-645	for welding Ø24

⁽¹⁾ Pt500, Pt1000, Ni100, Ni1000 on demand
⁽²⁾ Other parameters according to customer requirements
⁽³⁾ Connection head with protection class IP65 or acid resistant on demand
⁽⁴⁾ Other lengths, diameters, inch and metric threads on demand

Sensor length L (mm)	50	100	200	300	400	600	800	1000
Length of insert TP-701 (mm)	180	230	330	430	530	730	930	1130

ORDERING CODE



Example for order: TP-641Pt100-1-50 sensor with single Pt100 resistor (with measuring insert type TP-701Pt100-1-180), sheath outer diameter Ø11 mm and length L= 50 mm with thread M20x1,5.
 TP-641Pt100-1-50-T; TCHF-2120 sensor with the head-mount transmitter type TCHF-2120.