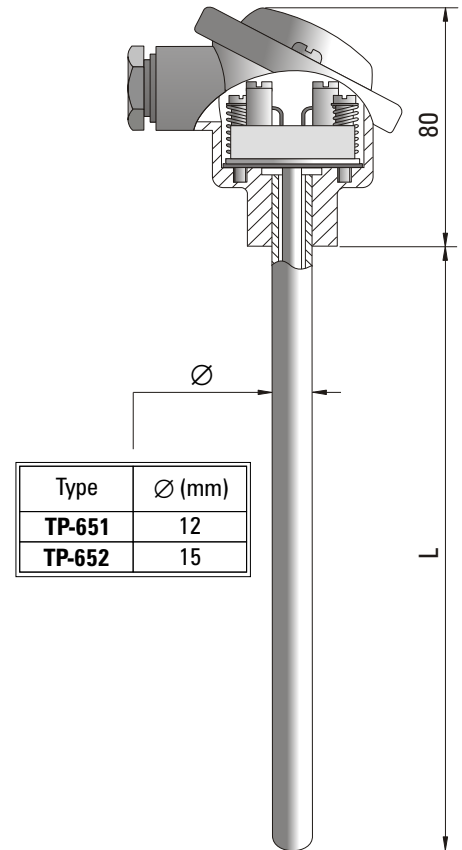


TEMPERATURE SENSOR

type 651, 652

SPECIFICATION

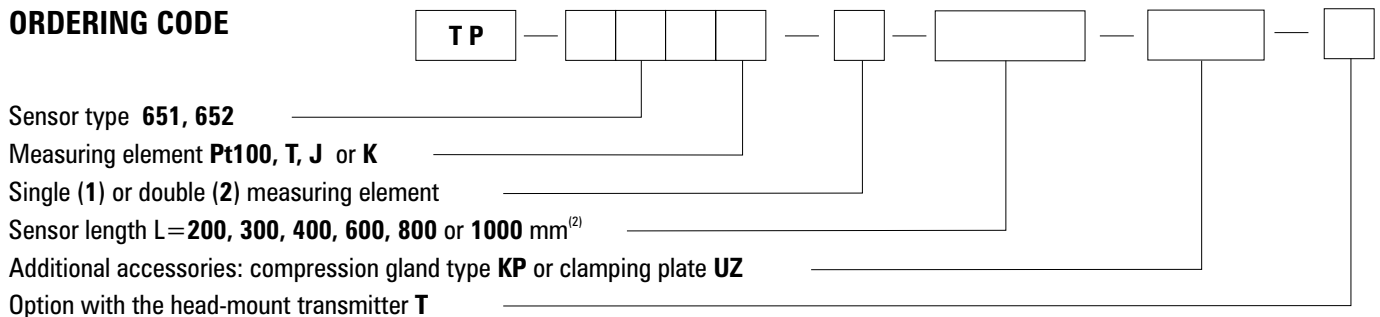
Temperature range	-40°C... +550°C	(Pt100)
	-40°C... +400°C	(T)
	-40°C... +600°C	(J)
	-40°C... +900°C	(K)
Measuring element - insert type TP-702	platinum resistor	(Pt100)⁽¹⁾
	thermocouple Cu-CuNi	(T)
	thermocouple Fe-CuNi	(J)
	thermocouple NiCr-NiAl	(K)
Class of processing element	2 (B) ⁽²⁾	
Conductor material	wire Cu/Ni (for Pt100)	
Assembly	2, 3 or 4 wires (for Pt100)	
Measuring junction	insulated ⁽²⁾	
Sheath material	steel 1.4541	
Roughness of sheath surface	$R_a < 0,8 \mu m^{(2)}$	
Connection head type	B or NA ⁽³⁾	
Head operating temperature	-40°C... +100°C	
Additional accessories	temperature transmitter compression gland type KP clamping plate type UZ compensation cable	



⁽¹⁾ Pt500, Pt1000, Ni100, Ni1000 on demand
⁽²⁾ Other parameters according to customer requirements
⁽³⁾ Connection head with protection class IP65 or acid resistant on demand

Sensor length L (mm)	200	300	400	600	800	1000
Length of insert TP-702 (mm)	230	330	430	630	830	1030

ORDERING CODE



Exemple for order: TP-651K-1-400 sensor with single thermocouple NiCr-NiAl (K) (with measuring insert TP-702K-1-430), sheath outer diameter $\varnothing = 12$ mm and length L = 400 mm.
 TP-651K-1-400-T; TCH-2140-K sensor with the head-mount transmitter type TCH-2140-K.