

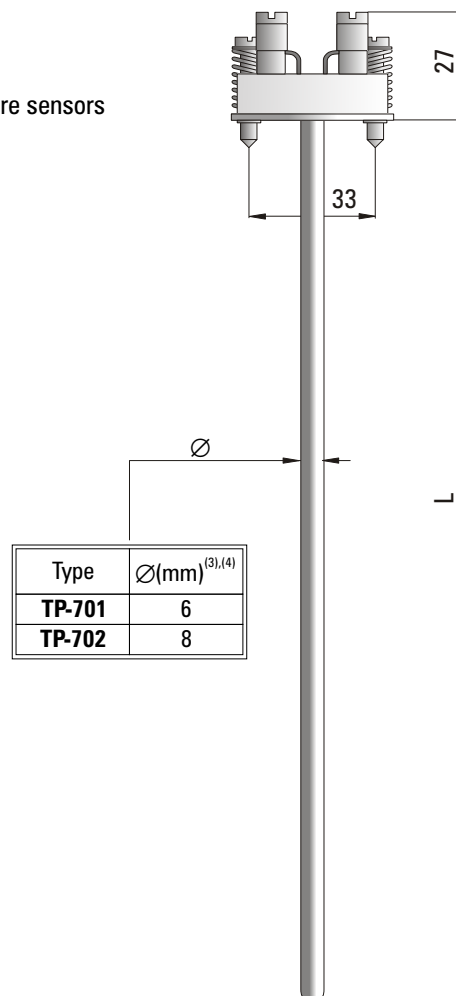
TEMPERATURE SENSOR

type 701, 702

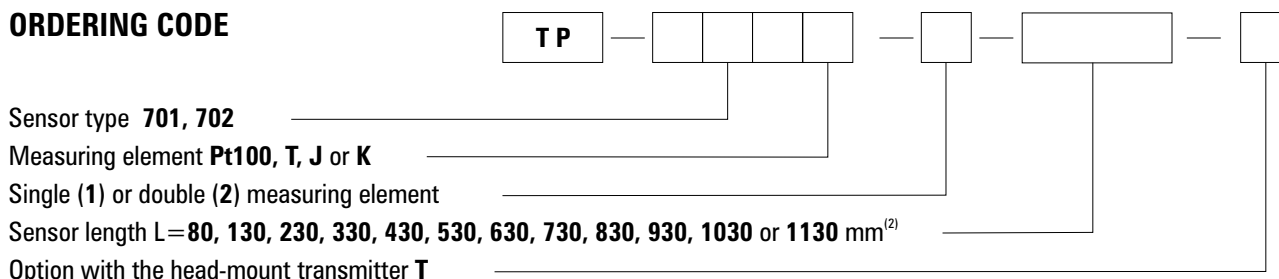
SPECIFICATION

Application	replaceable measuring insert for temperature sensors
Temperature range	-40°C... +550°C (Pt100) -40°C... +400°C (T) -40°C... +600°C (J) -40°C... +900°C (K)
Measuring element	platinum resistor (Pt100)⁽¹⁾ thermocouple Cu-CuNi (T) thermocouple Fe-CuNi (J) thermocouple NiCr-NiAl (K)
Class of processing element	2 (B) ⁽²⁾
Conductor material	wire Cu/Ni (for Pt100)
Assembly	2, 3 or 4 wires (for Pt100)
Measuring junction	insulated ⁽²⁾
Sheath material	steel 1.4541
Additional accessories	temperature transmitter compensation cable

⁽¹⁾ Pt500, Pt1000, Ni100, Ni1000 on demand
⁽²⁾ Other parameters according to customer requirements
⁽³⁾ Sheathed thermocouples $\varnothing = 1.5, 2, 3, 4.5, 6, 8$ mm on demand
⁽⁴⁾ Mineral insulated cable for Pt100 $\varnothing = 3, 5, 6$ mm on demand



ORDERING CODE



Example for order: TP-701K-1-430 sensor with single thermocouple NiCr-NiAl (K) of outer diameter $\varnothing = 6$ mm and length L = 430 mm.
 TP-701K-1-430-T; TCH-2140-K sensor with the head-mount transmitter type TCH-2140-K.