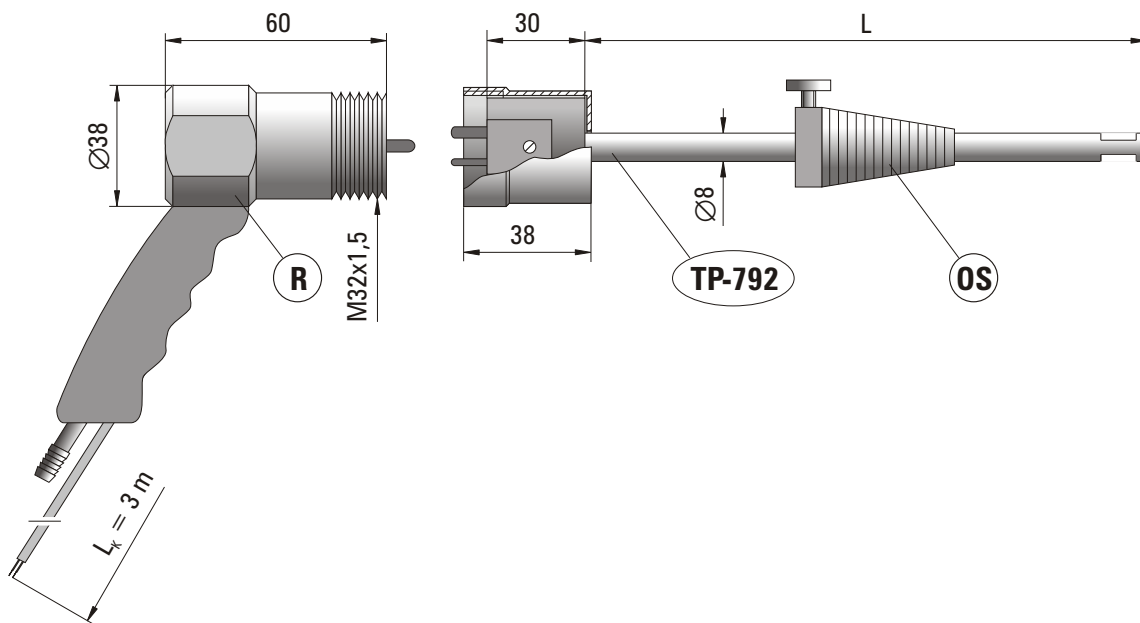


TEMPERATURE SENSOR

type 792

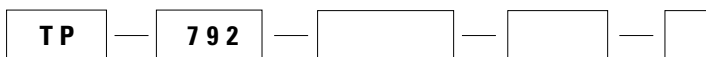


SPECIFICATION

Application	temperature measurement of exhaust gas, for use with the gas analyzers
Temperature range	0°C...+1000°C
Measuring element	NiCr-NiAl (K)
Class of thermocouple	1
Measuring junction	insulated
Handle and cable operating temperature	-20°C...+80°C
Sheath material	steel 1.4541
Sensor length L	500, 700, 1000 or 1500 mm ⁽¹⁾
Additional accessories	sensor handle type R conical limiter for sensor immersion length type OS

⁽¹⁾ Other parameters according to customer requirements

ORDERING CODE



Sensor length L = 500, 700, 1000 or 1500 mm⁽¹⁾

Additional accessories: conical limiter for sensor's immersion depth type **OS**
 sensor handle type **R**

Example for order:

TP-792-1500 sensor of length L = 1500 mm.
 TP-792-700-OS sensor of length L = 700 mm with conical limiter type OS.
 TP-792-700-OS-R sensor of length L=700 mm with conical limiter type OS, handle type R and compensation cable of length L_k = 3 m.