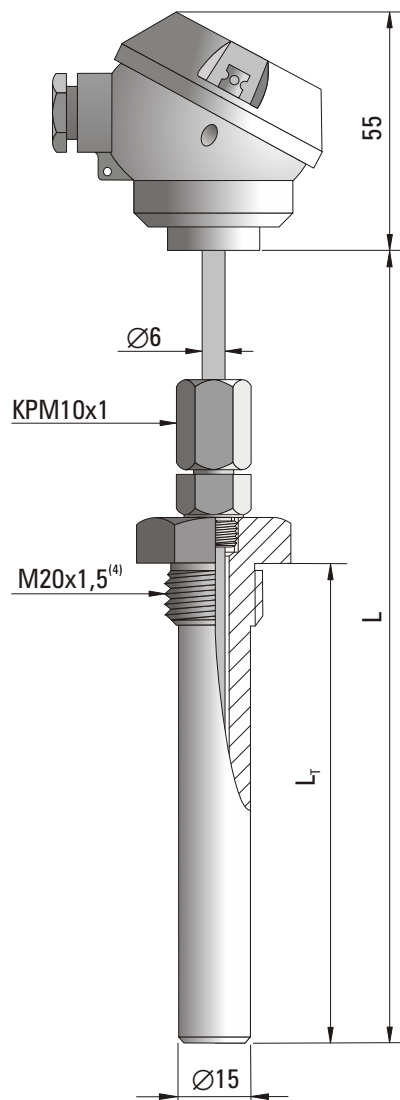


TEMPERATURE SENSOR

type 921, 922, 923, 924, 925

SPECIFICATION

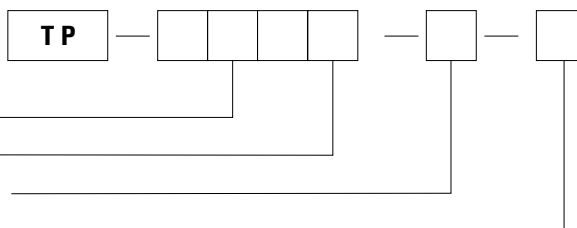
Application	temperature measurement in pressure receptacles and pipelines
Maximum operating pressure	10 MPa
Temperature range	-40°C... +550°C (Pt100) -40°C... +400°C (T) -40°C... +600°C (J) -40°C... +900°C (K)
Measuring element	platinum resistor (Pt100)⁽¹⁾ thermocouple Cu-NiAl (T) thermocouple Fe-CuNi (J) thermocouple NiCr-NiAl (K)
Class of processing element	2 (B) ⁽²⁾
Conductor material	wire Cu/Ni (for Pt100)
Assembly	2, 3 or 4 wires (for Pt100)
Measuring junction	insulated ⁽²⁾
Sheath material Ø6	steel 1.4541
Pressure sheath material	toughened steel⁽²⁾
Connection head type	MA or B ⁽³⁾
Head operating temperature	-40°C... +100°C
Additional accessories	temperature transmitter thermowell for welding compensation cable



⁽¹⁾ Pt500, Pt1000, Ni100, Ni1000 on demand
⁽²⁾ Other parameters according to customer requirements
⁽³⁾ Connection head with protection class IP65 or acid resistant on demand
⁽⁴⁾ Other threads, sheathes or sheath for welding on demand

Sensor type	TP-921	TP-922	TP-923	TP-924	TP-925
Sheath length L_r (mm) ^{*)}	45	75	100	150	250
Sensor length L(mm) ^{*)}	100	150	200	250	300

ORDERING CODE



Sensor type **921, 922, 923, 924, 925**
 Measuring element **Pt100, T, J or K**
 Single **(1)** or double **(2)** measuring element
 Option with the head-mount transmitter **T**

Example for order: TP-921K-1 sensor with connection head type MA, with single thermocouple NiCr-NiAl (K) of length $L = 100$ mm and with pressure sheath of length $L_r = 45$ mm.
 TP-921K-1-T; TCH-2140-K sensor with connection head type B with head-mount transmitter type TCH-2140-K.