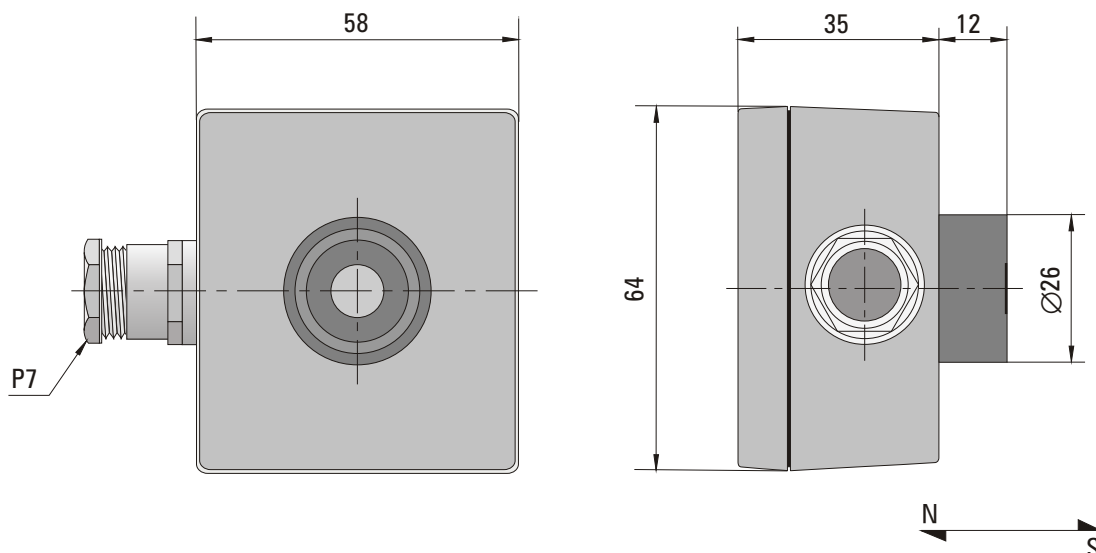


TEMPERATURE SENSOR

type 958



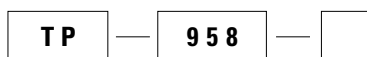
SPECIFICATION

Application	surface temperature measurement of blocks, parts of machinery or construction elements made from magnetic materials
Temperature range	0°C...+70°C ⁽¹⁾
Measuring element	platinum resistor (Pt100)⁽²⁾
Class of processing element	B
Maximum measuring current	1 mA
Magnetic material	Alnico
Case material	PC
Protection class	IP54
Additional accessories	temperature transmitter: analogue with fixed processing range specified in ordering code or programmable via IF-2013U interface (parameters are set as in the case of transmitters TEH-27 and TED-27)

⁽¹⁾ Other parameters according to customer requirements

⁽²⁾ Pt500, Pt1000, Ni100, Ni1000, thermocouples on demand

ORDERING CODE



Option with temperature transmitter: fixed range **T**, programmable range **TE**

Example for order:	TP-958	temperature sensor with handle magnet.
	TP-958-T; 0°C+70°C/4-20 mA	A sensor as above with analogue 4-20 mA temperature transmitter for 0...+70°C processing range.
	TP-958-TE; 0°C+50°C/4-20 mA	A sensor as above with programmable 4-20 mA temperature transmitter, factory-set range 0...+50°C.