

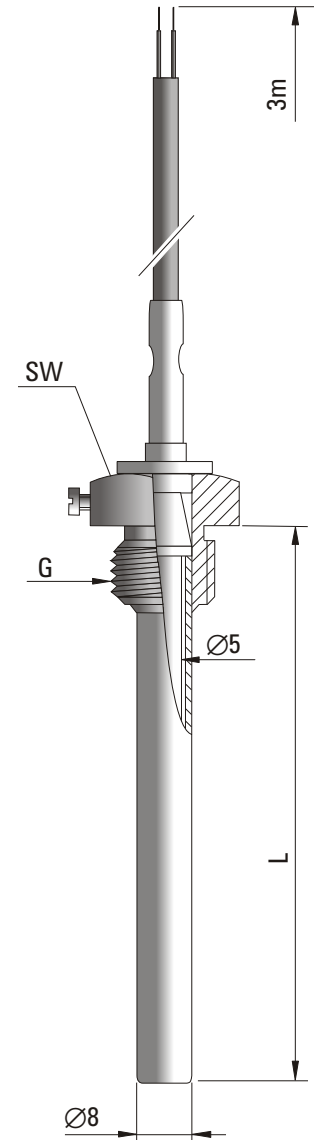
TEMPERATURE SENSOR

type 971, 972, 973, 974

SPECIFICATION

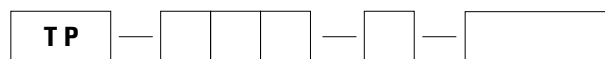
Application	temperature measurement in pipelines and central heating systems
Temperature range	-40°C... +150°C
Measuring element	platinum resistor (Pt100)⁽¹⁾
Class of processing element	B ⁽²⁾
Sheath material	steel 1.4541
Maximum operating pressure	1,6 MPa
Roughness of sheath surface	$R_a < 0,8 \mu\text{m}^{(2)}$
Connecting cable in silicon insulation	cord 2 x 0,35 mm ⁽²⁾
Length of the cable L_k	3 m ⁽³⁾
Cable operating temperature	-20°C... +150°C
Additional accessories	thermowell for welding

⁽¹⁾ Pt500, Pt1000, Ni100, Ni1000 on demand
⁽²⁾ Other parameters according to customer requirements
⁽³⁾ Other sensor and cable lengths on demand
⁽⁴⁾ Other threads inch and metric on demand



Sensor type	TP-971	TP-972	TP-973	TP-974
G ⁽⁴⁾	G 1/2"	G 3/8"	G 1/4"	for welding
SW	Hex.24	Hex.19	Hex.17	Ø22

ORDERING CODE



Sensor type **971, 972, 973, 974**
 Single **(1)** or double **(2)** measuring element
 Sensor length $L=50, 85, 100, 150$ or 200 mm⁽²⁾

Example for order: TP-971-1-85 sensor with single Pt100 resistor, outer housing of length $L = 85$ mm and thread G1/2", cable of length $L_k = 3$ m.