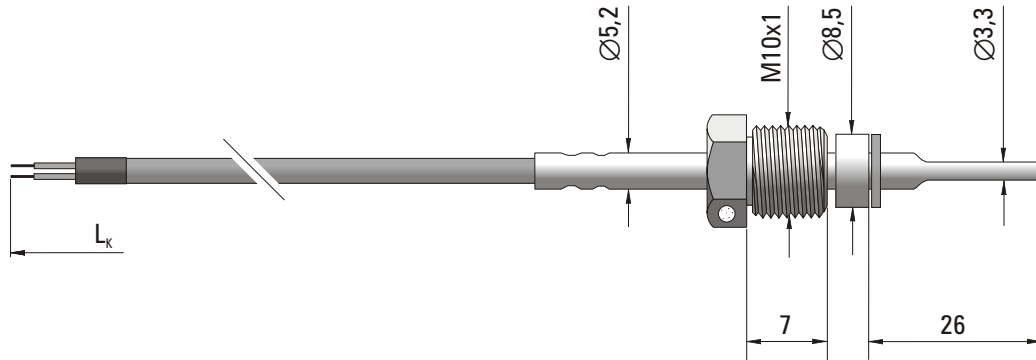


# TEMPERATURE SENSOR

## type 979



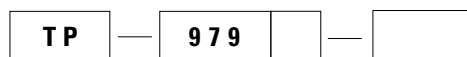
### SPECIFICATION

|  |  |
|--|--|
| Application                            | temperature measurement in pipelines and central heating systems   |
| Temperature range                      | 0°C...+180°C   |
| Measuring element                      | platinum resistor <b>(Pt100), (Pt500), (Pt1000)</b> <sup>(1)</sup> |
| Class of processing element            | B <sup>(2)</sup>   |
| Sheath material                        | steel 1.4541   |
| Gland material M10 x 1                 | brass  |
| Maximum operating pressure             | 1,6 MPa  |
| Roughness of sheath surface            | $R_a < 0,8 \mu\text{m}$ <sup>(2)</sup>                             |
| Response time $T_{0,9}$                | < 5 s (in water 0,1 m/s)   |
| Connecting cable in silicon insulation | cord 2 x 0,25 mm <sup>2</sup>                                      |

<sup>(1)</sup> Ni100, Ni1000 on demand

<sup>(2)</sup> Other parameters according to customer requirements

### ORDERING CODE



Measuring element **Pt100, Pt500, Pt1000**  
 Length of the cable  $L_k = 0,5, 1,5$  or  $3 \text{ m}$ <sup>(2)</sup>

**Example for order:** TP-979Pt100-3 sensor with single Pt100 resistor and cable of length  $L_k = 3 \text{ m}$ .