

TEMPERATURE SENSOR

type 981, 982, 983, 984

SPECIFICATION

Application	temperature measurement in pipelines and central heating systems
Temperature range	-40°C... +150°C
Measuring element	platinum resistor (Pt100) ⁽¹⁾
Assembly	2, 3 or 4 wires
Class of processing element	B ⁽²⁾
Sheath material	steel 1.4541
Roughness of sheath surface	$R_a < 0,8 \mu\text{m}^{(2)}$
Maximum operating pressure	1,6 MPa
Connection head type	MA or B ⁽³⁾
Head operating temperature	-40°C... +100°C
Additional accessories	temperature transmitter thermowell for welding

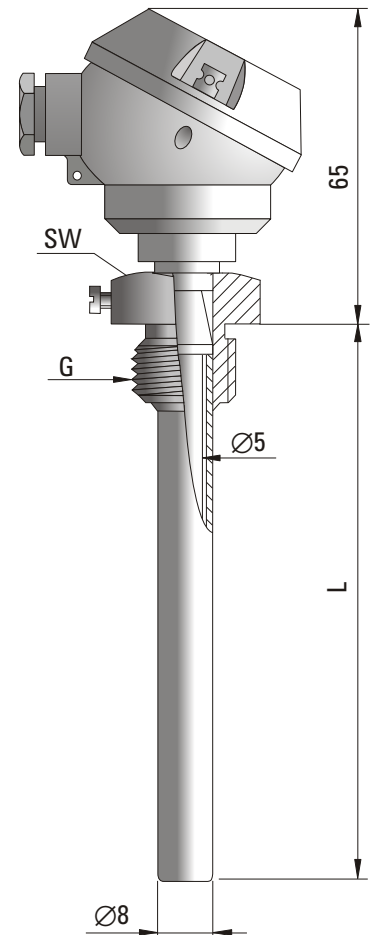
⁽¹⁾ Pt500, Pt1000, Ni100, Ni1000 on demand

⁽²⁾ Other parameters according to customer requirements

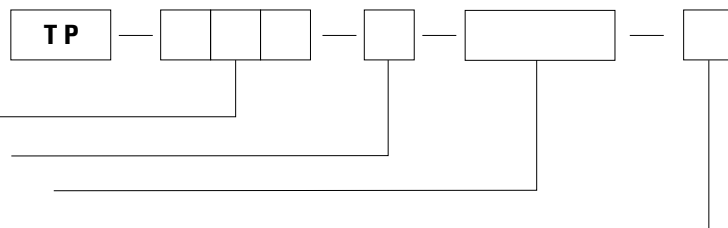
⁽³⁾ Connection head with protection class IP65 or acid resistant on demand

⁽⁴⁾ Other threads inch and metric on demand

Sensor type	TP-981	TP-982	TP-983	TP-984
G ⁽⁴⁾	G 1/2"	G 3/8"	G 1/4"	for welding
SW	Hex.24	Hex.19	Hex.17	Ø22



ORDERING CODE



Sensor type **981, 982, 983, 984**

Single (1) or double (2) measuring element

Sensor length L = **50, 85, 100, 150** or **200** mm⁽²⁾

Option with the head-mount transmitter **T**

Example for order:

TP-981-1-85 sensor with single Pt100 resistor, connection head type MA, outer housing of length L = 85mm and thread G1/2".

TP-981-1-85-T; TCHF-2120 sensor with connection head type B, option with the head-mount transmitter type TCHF-2120.