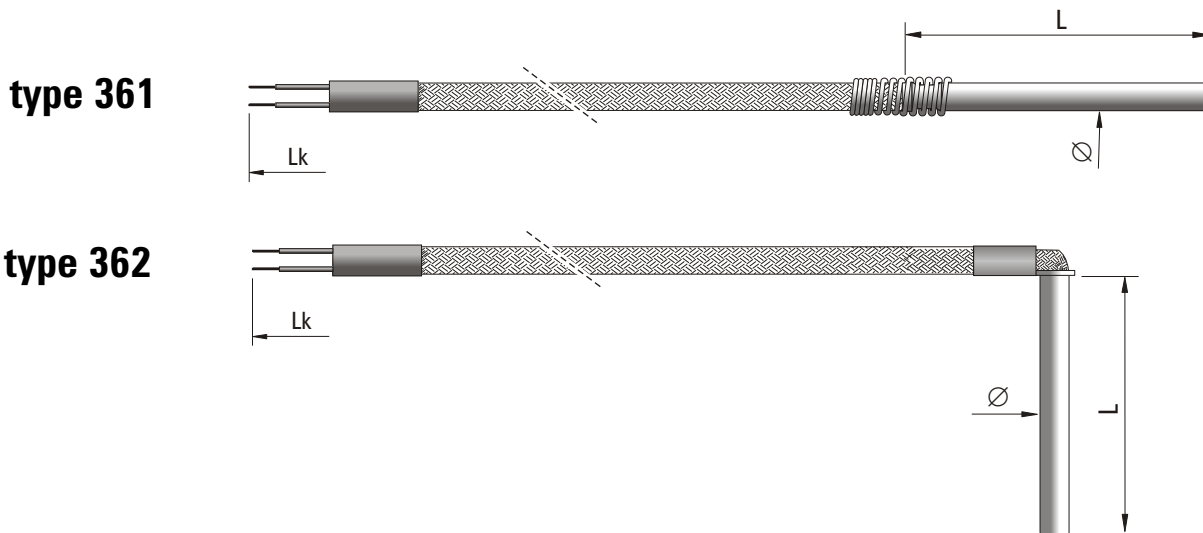


TEMPERATURE SENSOR



SPECIFICATION

Temperature range	-40°C...+400°C
Measuring element	platinum resistor (Pt100) thermocouple Cu-CuNi (T) thermocouple Fe-CuNi (J) thermocouple NiCr-Ni (K)
Class of processing element	thermocouple cl.2, Pt100 cl.B
Measuring junction (thermocouple)	insulated (b) [or grounded (a)]
Sheath material	steel AISI304
Cable insulated	fiber glass and steel braid (other on demand)
Additional accessories	compression gland KP or flange UK

⁽¹⁾ Pt500, Pt1000, Ni100, Ni1000 on demand

⁽²⁾ Pt100 3-wire or Pt100 4-wire on demand

⁽³⁾ Other cable insulation: PVC (Tmax+80°C), silicon (Tmax+180°C), PTFE (Tmax+250°C), stainless steel armored sheath on demand

ORDERING CODE



Sensor type **361, 362**

Measuring element **Pt100, T, J, K** ⁽¹⁾

Sheath outer diameter $\varnothing = 2,5, 3, 4, 5, 6, 8$ mm (other on demand)

Sensor length L = **50, 100, 200, 300, 400, 600, 800** mm (other on demand)

Cable length Lk = **0,5, 1,0, 1,5, 2,0, 2,5** m. (other on demand)

Additional accessories: compression gland **KP** (thread on demand) or flange **UK**

Additional requirements: different cable insulation, different sheath diameter, different class, Pt100 3- 4-wire, double version

Example for order:

TP-361J-5-100-1,5 thermocouple sensor Fe-CuNi (J) of diameter $\varnothing=5$ mm, length L=100 mm, and length of the cable Lk=1,5m.

On request, free Quality Certificate specifying the sensor class or payable Calibration Certificate for any temperature with marked deviations