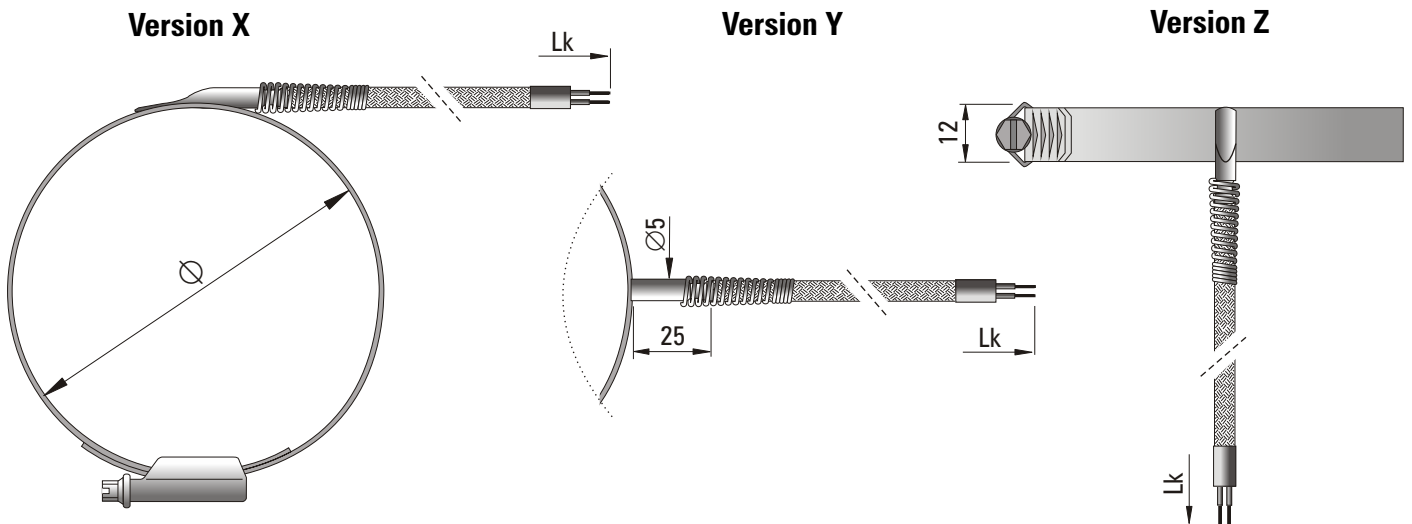


TEMPERATURE SENSOR

type 397



SPECIFICATION

Application	for measuring the surface temperature of pipelines and others cylindrical elements. The sensor is attached with a clamp, hose-clip.
Temperature range	-40°C...+400°C
Measuring element	platinum resistor (Pt100) thermocouple Cu-CuNi (T) thermocouple Fe-CuNi (J) thermocouple NiCr-Ni (K)
Class of processing element	thermocouple cl.2, Pt100 cl.B
Measuring junction (thermocouple)	grounded (a) [or insulated (b)]
Hose-clip material	stainless steel 1.4016 (other on demand)
Hose-clip opening diameter \varnothing (mm)	32/50, 50/70, 70/90, 90/110, 110/130 (other on demand)
Cable insulated	fiber glass and steel braid (other on demand)

⁽¹⁾ Pt500, Pt1000, Ni100, Ni1000 on demand

⁽²⁾ Pt100 3-wire or Pt100 4-wire on demand

⁽³⁾ Other cable insulation: PVC (Tmax+80°C), silicon (Tmax+180°C), PTFE (Tmax+250°C), stainless steel armored sheath on demand

ORDERING CODE



Measuring element **Pt100, T, J, K** ⁽¹⁾

Hose-clip opening diameter \varnothing (mm) **32/50, 50/70, 70/90, 90/110, 110/130** (other on demand)

Cable length Lk **0,5, 1,0, 1,5, 2,0, 2,5** m. (other on demand)

Version **X, Y or Z**

Additional requirements: different cable insulation, different class, Pt100 3- 4-wire, double version

Example for order: TP-397K-50/70-3,5-X thermocouple sensor NiCr-Ni (K) with hose-clip of opening diameter $\varnothing=50/70$ mm, length of cable Lk = 3,5m, measuring junction grounded, version X.

On request, free Quality Certificate specifying the sensor class or payable Calibration Certificate for any temperature with marked deviations