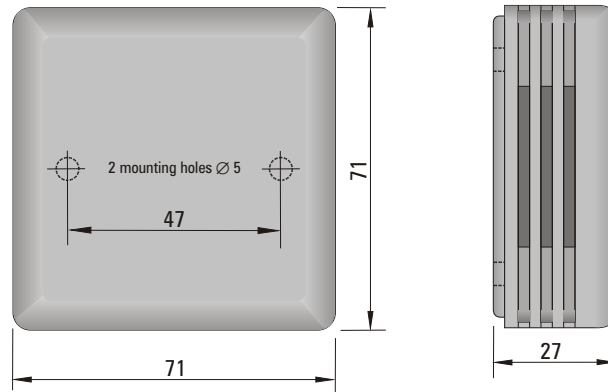


## TEMPERATURE AND HUMIDITY SENSOR WITH I2C OUTPUT type HT-951



### TECHNICAL DATA

**Application**

temperature and relative humidity measurement of air indoor. Wall-mounted.

**For use with a meter type EMW-200**

**or temperature and humidity recorder type RTW-12-2.**

**Measurement range**

-40°C...+80°C, 0...100%RH

**Temperature measurement error**

max 0,5°C for 0°C ≤ T ≤ 60°C and max. 1,5°C beyond this range

**Humidity measurement error**

max 3% for 20% ≤ RH ≤ 80% and max. 5% beyond this range

**Output**

**I2C**

**Connection cable**

min. 4-wire, max. Internal diameter 5 mm

**Max cable length**

depends on capacitance between conductors, approx. 20 m for U/UTP cat.5E

**Housing**

71 x 71 x 27 mm, ABS material

**Weight**

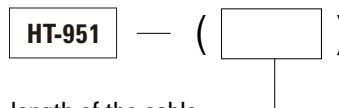
approx. 50 g

**Operating temperature**

-40°C...+80°C

Note: the location of the hole (side or rear wall) and the diameter of the hole (max.5mm) for the cable outlet can be specified in ordering code..

### ORDERING CODE



Additional requirements: position and diameter of the hole for the cable, length of the cable

**Example for order:** HT-951 denotes a temperature and relative humidity sensor for use with the EMW-200 meter or RTW-12-2 logger