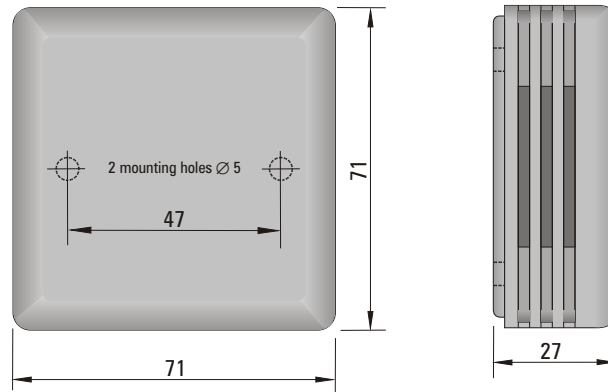


TEMPERATURE AND HUMIDITY SENSOR WITH I2C OUTPUT type HT-951



TECHNICAL DATA

Application

temperature and relative humidity measurement
ambient air in rooms, wall-mounted.

**For use with a meter type EMW-200
or temperature and humidity recorder type RTW-12-2.**

Measurement range

-40°C...+80°C, 0...100%RH

Temperature measurement error

max 0,5°C for 0°C ≤ T ≤ 60°C and max. 1,5°C beyond this range

Humidity measurement error

max 3% for 20% ≤ RH ≤ 80% and max. 5% beyond this range

Output

I2C

Connection cable

min. 4-wire, max. Internal diameter 5 mm

Max cable length

depends on capacitance between conductors, approx. 20 m for U/UTP cat.5E

Housing

71 x 71 x 27 mm, ABS material

Weight

approx. 50 g

Operating temperature

-40°C...+80°C

Note: the location of the hole (side or rear wall) and the diameter of the hole (max.5mm) for the cable outlet can be specified in ordering code..

ORDERING CODE

HT-951 — ()

Additional requirements: position and diameter of the hole for the cable, length of the cable

Example for order: HT-951 denotes a temperature and relative humidity sensor for use with the EMW-200 meter or RTW-12-2 logger