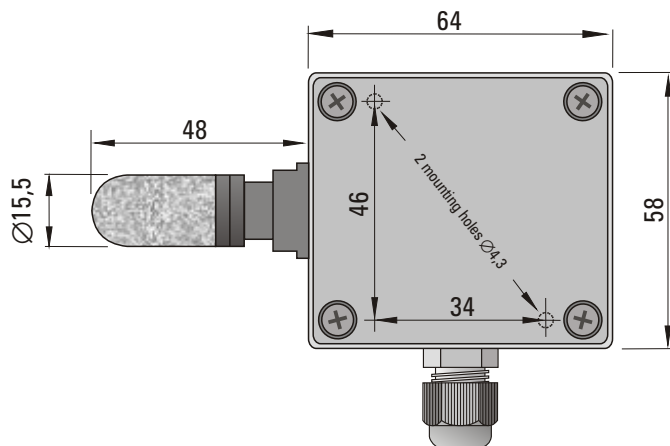


TEMPERATURE AND HUMIDITY SENSOR WITH I2C OUTPUT

Type HT-952



TECHNICAL DATA

Application

temperature and relative humidity measurement of ambient air indoor and outdoor, wall-mounted.

For use with a meter type EMW-200

Or temperature and humidity recorder type RTW-12-2.

Measurement range

-40°C...+80°C, 0...100%RH

Temperature measurement error

max. 0,5°C for $0^{\circ}\text{C} \leq T \leq 60^{\circ}\text{C}$ and max. 1,5°C beyond this range

Humidity measurement error

max 3% dla $20\% \leq \text{RH} \leq 80\%$ and max. 5% beyond this range

Output

I2C

Connection cable

min. 4-wire, external diameter 3...5 mm

Max cable length

depends on capacitance between conductors, approx. 20 m for U/UTP cat.5E

Sensor sheath

Ø15,5 x 48 mm, PA material (gland), PE material (filter)

Terminal housing

58 x 64 x 35 mm, ABS material

Weight

approx. 90 g

Operating temperature

-40°C...+80°C

ORDERING CODE

HT-952 — ()

Additional requirements: length of connection cable _____

Example for order: HT-952 denotes a temperature and humidity sensor for use with EMW-200 or RTW-12-2 logger