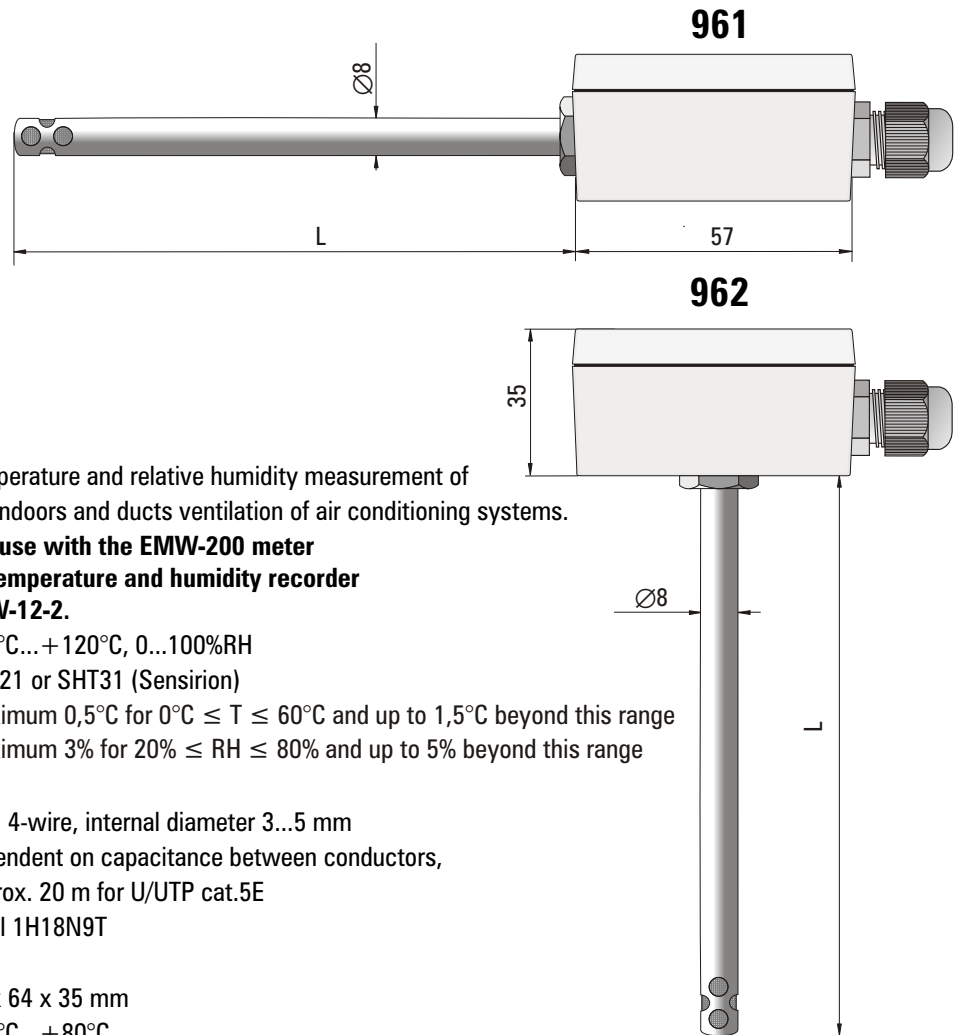


## TEMPERATURE AND HUMIDITY SENSOR WITH I2C OUTPUT

type HT-961, HT-962



### TECHNICAL DATA

Application	temperature and relative humidity measurement of Air indoors and ducts ventilation of air conditioning systems.
	<b>For use with the EMW-200 meter or temperature and humidity recorder RTW-12-2.</b>
Measuring range	-40°C...+120°C, 0...100%RH
Measuring element	SHT21 or SHT31 (Sensirion)
Temperature measuring error	maximum 0,5°C for 0°C ≤ T ≤ 60°C and up to 1,5°C beyond this range
Humidity measuring error	maximum 3% for 20% ≤ RH ≤ 80% and up to 5% beyond this range
Output	I2C
Connecting cable	min. 4-wire, internal diameter 3...5 mm
Max. Cable length	dependent on capacitance between conductors, approx. 20 m for U/UTP cat.5E
Sensor sheath material	steel 1H18N9T
Terminal housing material	PC
Housing dimensions	57 x 64 x 35 mm
Operating temperature	-40°C...+80°C
Additional accessories	Compression gland type <b>KP</b> or flange type <b>UK</b>

### ORDERING CODE

Sensor type <b>961, 962</b>	HT	□	□	□
Sensor length L = <b>50, 100, 150</b> or <b>200</b> mm (any other on demand)				
Additional accessories - compression gland type: <b>KPM12x1,5; KPM20x1,5; KPG1/2"</b>				

<b>Example for order:</b>	HT-962-150	notes temperature and humidity sensor (to be used with the meter EMW-200 or logger RTW-12-2) in a sheath with diameter $\square = 8$ mm and length L = 150mm
	HT-961-100-KPM12x1,5	notes temperature and humidity sensor (to be used with the meter EMW-200 or logger RTW-12-2) in a sheath with diameter $\square = 8$ mm and length L= 100 mm, equipped with a compression gland with a thread of 12x1.5 mm.