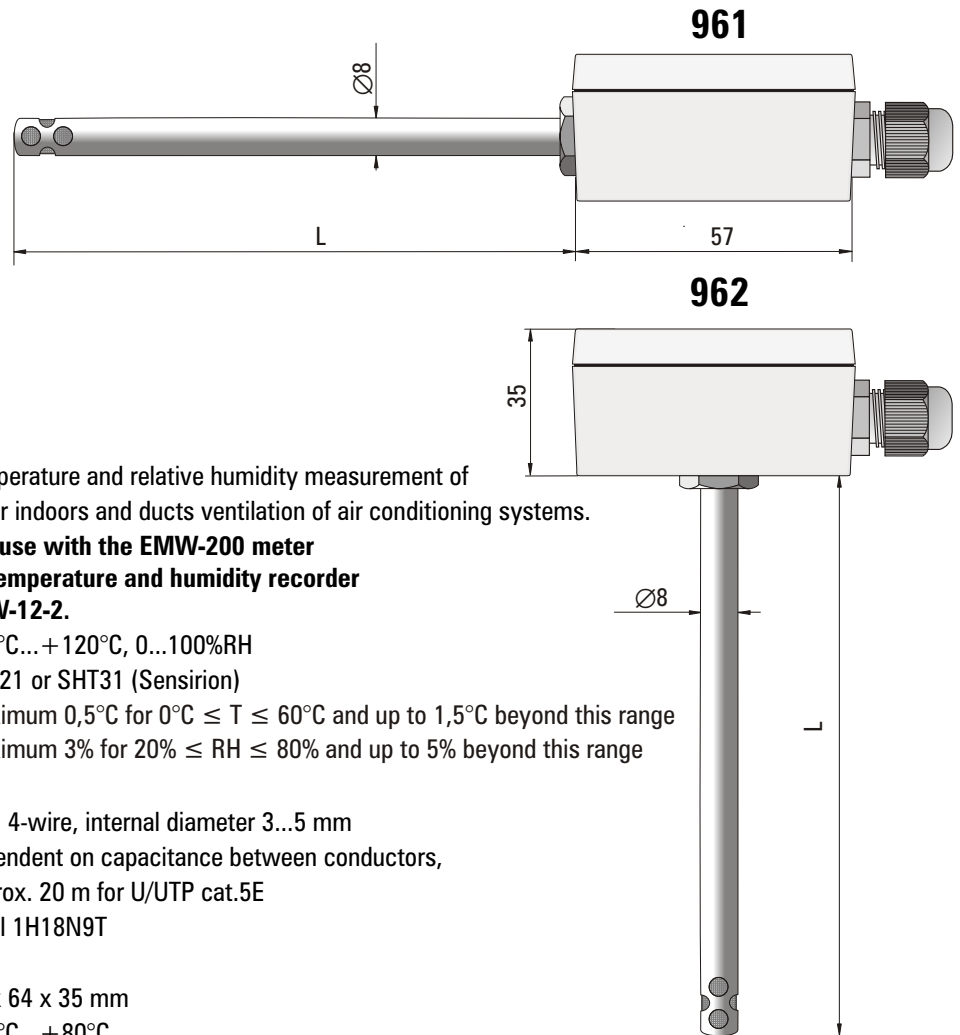


TEMPERATURE AND HUMIDITY SENSOR WITH I2C OUTPUT

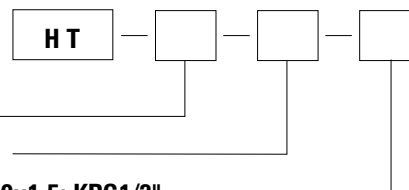
type HT-961, HT-962



TECHNICAL DATA

Application	temperature and relative humidity measurement of air indoors and ducts ventilation of air conditioning systems. For use with the EMW-200 meter or temperature and humidity recorder RTW-12-2.
Measuring range	-40°C...+120°C, 0...100%RH
Measuring element	SHT21 or SHT31 (Sensirion)
Temperature measuring error	maximum 0,5°C for 0°C ≤ T ≤ 60°C and up to 1,5°C beyond this range
Humidity measuring error	maximum 3% for 20% ≤ RH ≤ 80% and up to 5% beyond this range
Output	I2C
Connecting cable	min. 4-wire, internal diameter 3...5 mm
Max. Cable length	dependent on capacitance between conductors, approx. 20 m for U/UTP cat.5E
Sensor sheath material	steel 1H18N9T
Terminal housing material	PC
Housing dimensions	57 x 64 x 35 mm
Operating temperature	-40°C...+80°C
Additional accessories	Compression gland type KP

ORDERING CODE



Sensor type **961, 962**
 Sensor length L = **50, 100, 150** lub **200** mm (inna na życzenie)
 Additional accessory: compression gland type: **KPM12x1,5; KPM20x1,5; KPG1/2"**

Example for order: HT-962-150 notes temperature and humidity sensor (to be used with the meter EMW-200 or recorder RTW-12-2) in a sheath with diameter $\varnothing = 8$ mm and length L = 150mm
 HT-961-100-KPM12x1,5 means temperature and humidity sensor (to be used with the meter EMW-200 or recorder RTW-12-2) in a sheath with diameter $\varnothing = 8$ mm and length L = 100 mm, equipped with a compression gland with a thread of 12x1.5 mm.