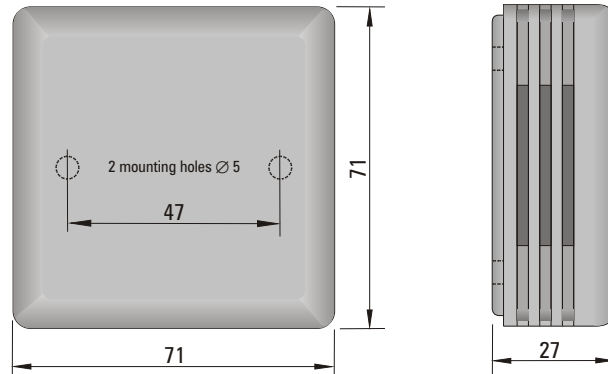


TEMPERATURE AND HUMIDITY SENSOR WITH TRANSMITTER

Type HTT-951



TECHNICAL DATA

Sensor

Application

temperature and relative humidity measurement of air indoor. Wall-mounted.

Measuring range

-40°C...+80°C, 0...100%RH

Housing

71 x 71 x 27 mm, ABS material, approx. weight 50g

Ambient temperature

-40°C...+80°C

Transmitter

Processing ranges:

temperatures

programmable, max. -40°C ... +80°C (upper - lower ≥ 10°C)

relative humidity

programmable, max. 0% ... 100% (upper - lower ≥ 10%)

dew point temperature

programmable, max. -40°Cdp ... +80°Cdp (upper - lower ≥ 10°Cdp)

Dew point is calculated based on relative humidity and temperature

Temperature processing error

max. 0,5°C for 0°C ≤ T ≤ 60°C and max. 1,5°C beyond this range

Humidity processing error

max. 3% for 20% ≤ RH ≤ 80% and max. 5% beyond this range

Output signals

programmable in the range of 0-20mA, default 4-20mA (HTT-951/A)

programmable in the range of 0-10V, default 0-10V (HTT-951/V)

Power supply

12 ... 36 V DC / 55 mA (HTT-951/A)

14 ... 36 V DC / 35 mA (HTT-951/V)

Programming

using the **IF-2013U** interface, connected to the computer with a **E-config** program

Accessories (ordered separately)

IF-2013U programming interface

E-config program (also downloadable at www.czaki.pl)

Note: the location of the hole (side wall or rear wall) for cable exit can be specified in the order text

ORDERING CODE

	(1)	(2)	(3)	(4)	(5)	(6)	(7)					
HTT-951	/	<input type="text"/>	/	<input type="text"/>	/	<input type="text"/>	/	<input type="text"/>	/	<input type="text"/>	/	<input type="text"/>

(1) Output signals

A current outputs referenced to the supply minus, default 4-20mA

V voltage outputs referenced to the supply minus, default 0-10V

(2) Lower end of the temperature processing range

value in [°C], default -40

(3) Upper end of the temperature processing range

value in [°C], default +80

(4) Lower end of the humidity processing range

value in [%RH] or [°Cdp], default 0

(5) Upper end of the humidity processing range

value in [%RH] or [°Cdp], default 100

(6) Humidity unit

%RH or °Cdp, default %RH

(7) Output signals other than the default e.g.. 0-20mA, 1-5V, position of the hole for the cable, ...

Example for order:

HTT-951/A denotes a sensor with transmitters of: air temperature in the range -40...+80°C and relative humidity in the range 0...100%RH to current signals 4...20mA

HTT-951/V/0/70/-10/60/°Cdp denotes a sensor with transmitters of: air temperature in the range of 0...+70°C and relative humidity in the range -10...+60°Cdp to voltage signals 0-10V