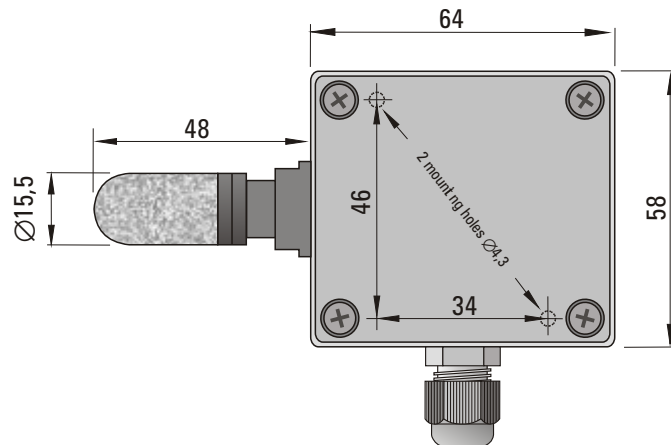


TEMPERATURE AND HUMIDITY SENSOR WITH TRANSMITTER

type HTT-952



TECHNICAL DATA

Sensor

Application	measurement of temperature and relative humidity of the surrounding air Indoor and outdoor. Wall-mounted
Measuring range	-40°C...+80°C, 0...100%RH
Housing	58 x 64 x 35 mm, PC material
Sensor sheath	Ø15,5 x 48 mm, PA material (gland), PE material (filter)
Ambient temperature	-40°C...+80°C

Transmitter

Processing ranges:	
temperatures	programmable, max. -40°C ... +80°C (upper - lower ≥ 10°C)
relative humidity	programmable, max. 0% ... 100% (upper - lower ≥ 10%)
dew point temperature	programmable, max. -40°Cdp ... +80°Cdp (upper - lower ≥ 10°Cdp)
<u>Dew point is calculated based on relative humidity and temperature</u>	
Temperature processing error	max. 0,5°C for 0°C ≤ T ≤ 60°C and max. 1,5°C beyond this range
Humidity processing error	max. 3% for 20% ≤ RH ≤ 80% and max. 5% beyond this range
Output signals	programmable in the range 0-20mA, <u>default 4-20mA</u> (HTT-952/A) programmable in the range 0-10V, <u>default 0-10V</u> (HTT-952/V)
Power supply	12 ... 36 V DC / 55 mA (HTT-952/A) 14 ... 36 V DC / 35 mA (HTT-952/V)
Programming	using the IF-2013U interface, connected to the computer with a E-config program
Accessories (ordered separately)	IF-2013U programming interface E-config program (also downloadable at www.czaki.pl)

ORDERING CODE

(1)	(2)	(3)	(4)	(5)	(6)	(7)						
HTT - 952	/	<input type="text"/>	/	<input type="text"/>	/	<input type="text"/>	/	<input type="text"/>	/	<input type="text"/>	/	<input type="text"/>

(1) Output signals	A current outputs referenced to the supply minus, <u>default 4-20mA</u> V voltage outputs referenced to the supply minus, <u>default 0-10V</u>
(2) Lower end of temperature processing range	value in [°C], <u>default -40</u>
(3) Upper end of temperature processing range	value in [°C], <u>default +80</u>
(4) Lower end of humidity processing range	value in [%RH] lub [°Cdp], <u>default 0</u>
(5) Upper end of humidity processing range	value in [%RH] lub [°Cdp], <u>default 100</u>
(6) Humidity unit	%RH or °Cdp , <u>default %RH</u>
(7) Output signals other than the default e. g.. 0-20mA, 1-5V	

Example for order: HTT-952/A denotes a sensor with transmitters: temperature in the range of -40...+80°C and humidity in range of 0...100%RH to current signals 4...20mA.
 HTT-952/V/-20/50/-30/40/°Cdp denotes a sensor with transmitters: temperature in the range of -20...+50°C And humidity in range of -30...+40°Cdp to voltage signals 0-10V.