

CZAKI THERMO - PRODUCT

05-090 Raszyn - Rybie

ul. 19 Kwietnia 58

tel. (22) 720 23 02

fax (22) 720 23 05

e-mail: handlowy@czaki.pl

www.czaki.pl

INSTRUCTION MANUAL FOR AIR TEMPERATURE AND HUMIDITY SENSOR WITH TRANSMITTER HTT-952/A

Application

The HTT-952/A sensor with transmitter is an electronic device that measures the temperature and relative humidity of the surrounding air and converts it into standard 4-20mA or optional 4-20mA signal.

Structure description

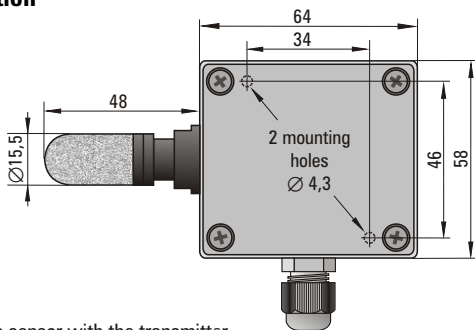


Fig. 1

Basic dimensions of the sensor with the transmitter

The transmitter circuit board is placed in a housing made of PC plastic. On the side wall there is a temperature and humidity detector cover consisting of a ferrule fitting (PA plastic) and a filter (porous PE plastic).

Programming of the transmitter

The transmitter is configured by a PC via the interface **IF-2013U** and the **E-config application v.2.1** or later. For a description of the software installation and how to use it, please refer to the IF-2013U interface manual.

Connection diagrams

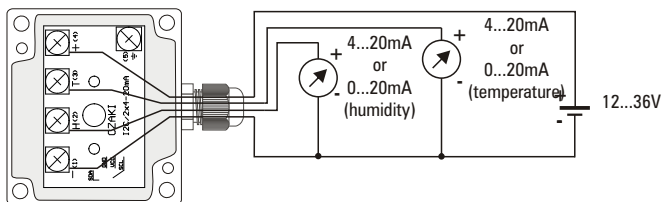


Fig. 2

Connection of power supply and voltage outputs

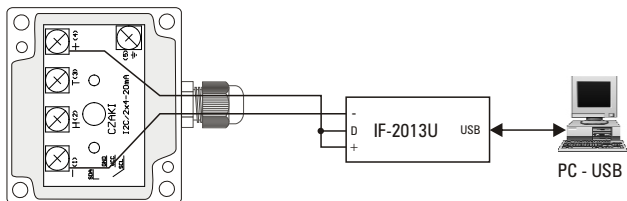


Fig. 3

Connecting the IF-2013U interface for programming time

Notes for installation

The connection cable is routed through the PG7 cable grommet and connected to the terminals located inside the transmitter housing as shown in Figure 2.

The terminals and mounting holes are accessible by unscrewing 4 screws and removing the cover.

The transmitter is attached to a flat surface (preferably vertical) with 2 screws up to 4mm in diameter.

The detector's cover should face either downward or sideways. Placing the detector at the top will cause it to heat up and erroneously indicate the measured quantities.

Technical data

Temperature processing range	programmable, max -40°C ... $+80^{\circ}\text{C}$ (upper - lower $\geq 10^{\circ}\text{C}$)
Processing range of relative humidity	programmable, maksymalnie 0% ... 100% (upper - lower $\geq 10\%$)
Processing range of dew point temperature (calculated on the basis of measured temperature and relative humidity)	programmable, max -40°Cdp ... 80°Cdp (upper - lower $\geq 10^{\circ}\text{Cdp}$)
Output signals	programmable within 0...20mA, default 4...20mA, referenced to the supply minus
Temperature processing error	max. $0,5^{\circ}\text{C}$ for $0^{\circ}\text{C} \leq T \leq 60^{\circ}\text{C}$ and max. $1,5^{\circ}\text{C}$ outside this range
Relative humidity processing error	max. 3% for $20\% \leq \text{RH} \leq 80\%$ and max. 5% outside this range
Power supply	12 ... 36 V DC / 55 mA
Operating temperature	-40°C ... $+80^{\circ}\text{C}$
Housing	64 x 58 x 35 mm (Ip65)
Weight	approx. 90 g
Programowanie	via the IF-2013U interface to USB of the computer (to be ordered Separately)

Maintenance and service

The sensor with transmitter does not require periodic maintenance. In case of damage, contact the CZAKI Sales Department.

Package contents

The sensor kit includes:

Sensor with transmitter

User manual with warranty card